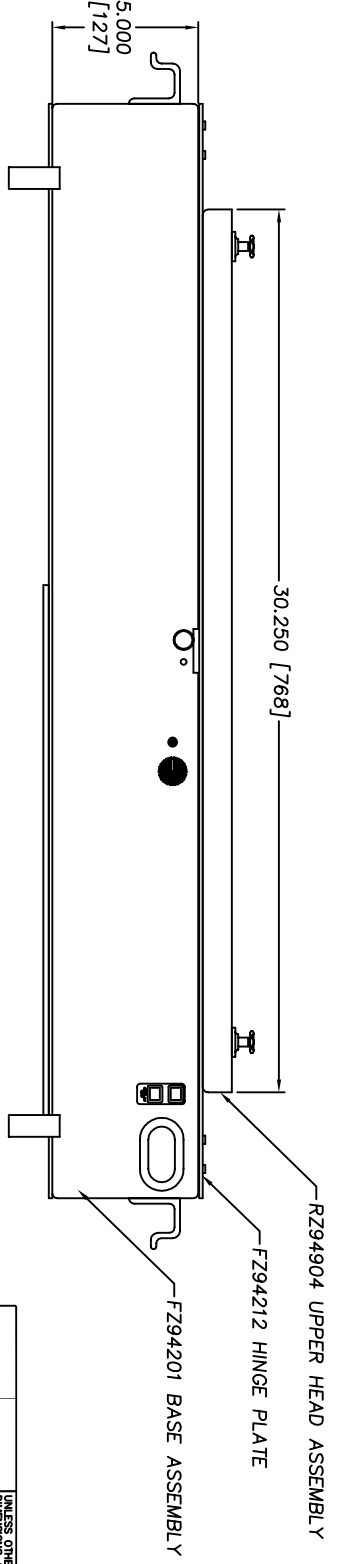
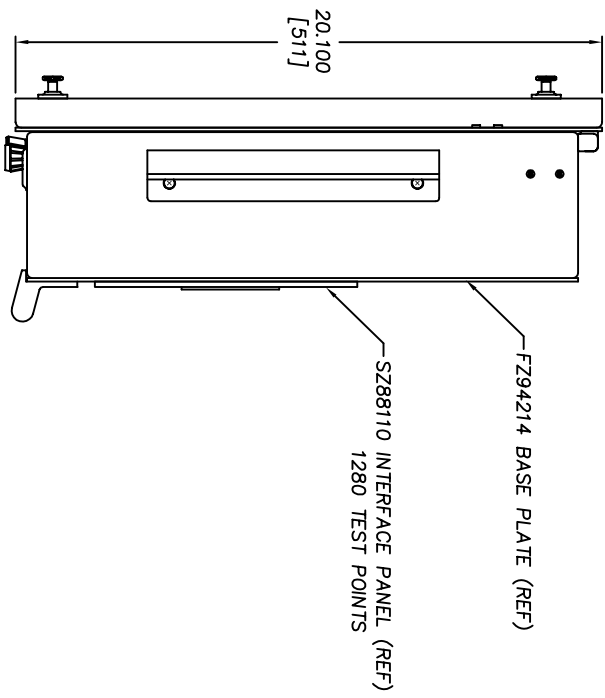
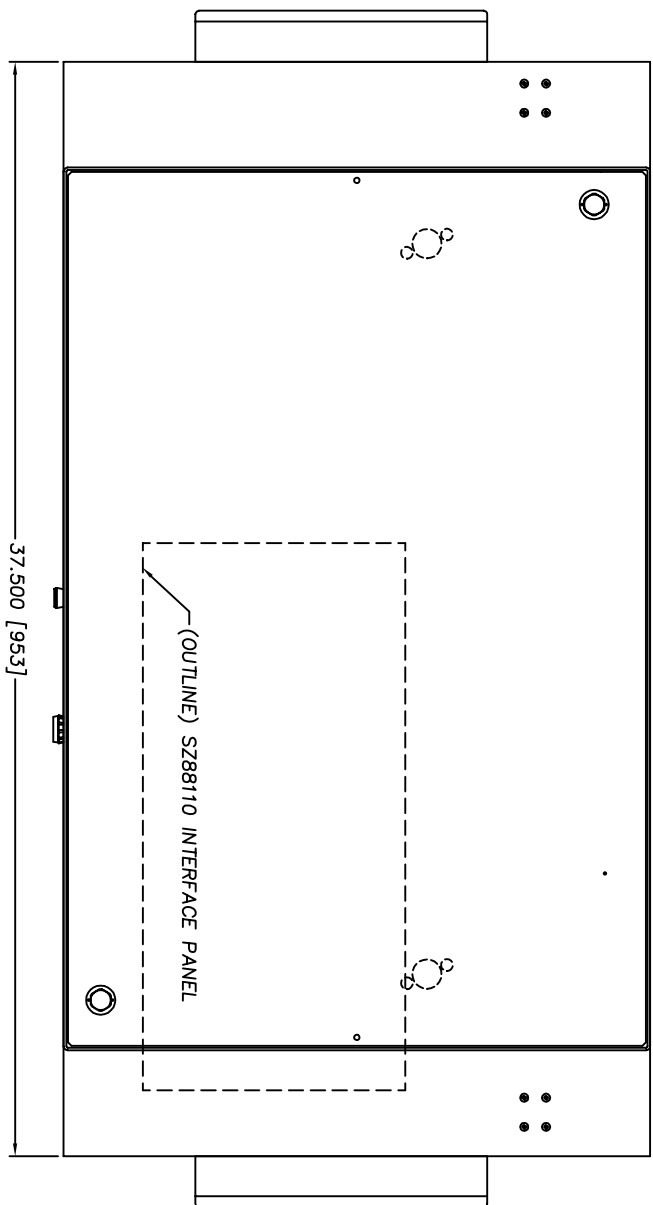


REVISIONS			
LTR	DESCRIPTION	DATE	APPROVED
A	QUICK TWIST SERIES	01/01/04	JAG



FILE NO.
RZ94004A

UNLESS OTHERWISE SPECIFIED DIMENSIONS ARE IN INCHES (MM)	
XX	ANGLES
± 0.15	± 0.05 ± 1/2°
MATERIAL SEE BILL OF MATERIALS	
FINISH NONE	
NEXT ASSY	USED ON
APPLICATION	DO NOT SCALE DRAWING

HPW TEST PRODUCTS
SEARCHING MASSACHUSETTS

FIXTURE ASSY (18x28 UUT)
1280 PT. I/F
TERADYNE SPECTRUM 8855

SIZE: D
SCALE: FULL DRAWING
SCALE: FULL DRAWING

DRAWING NO. RZ94004
REV. A

THIS DRAWING IS FOR ASSEMBLY REFERENCE ONLY