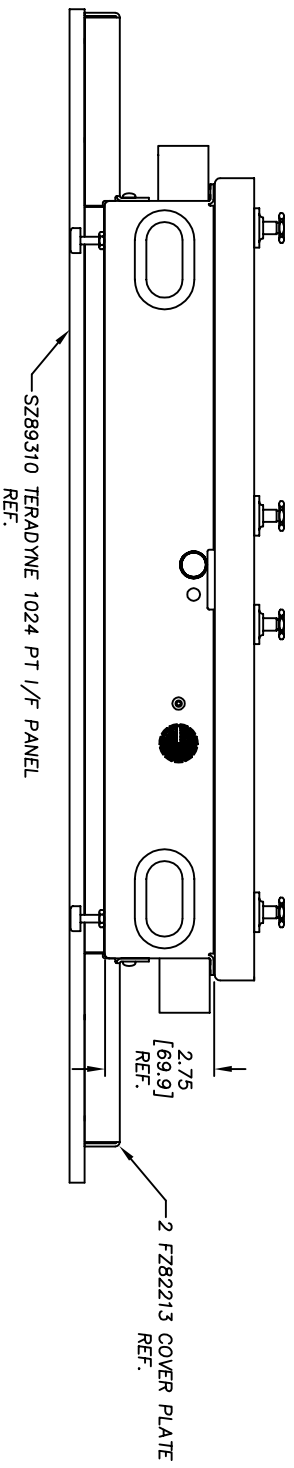
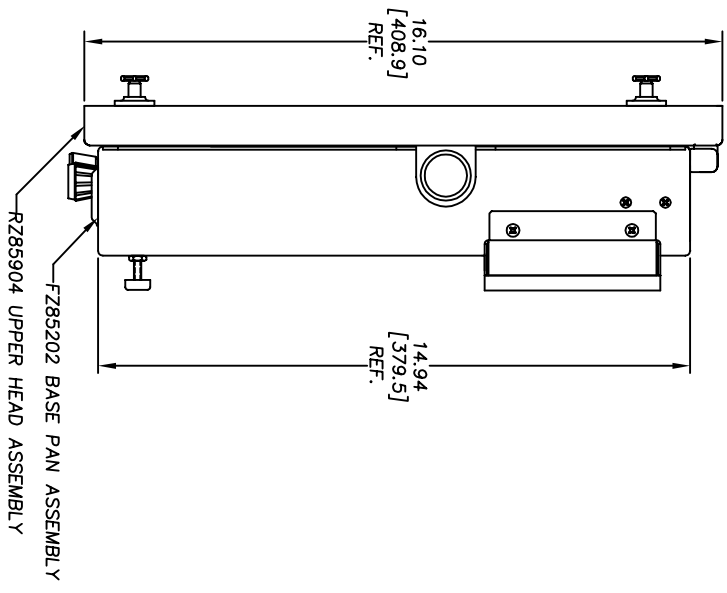
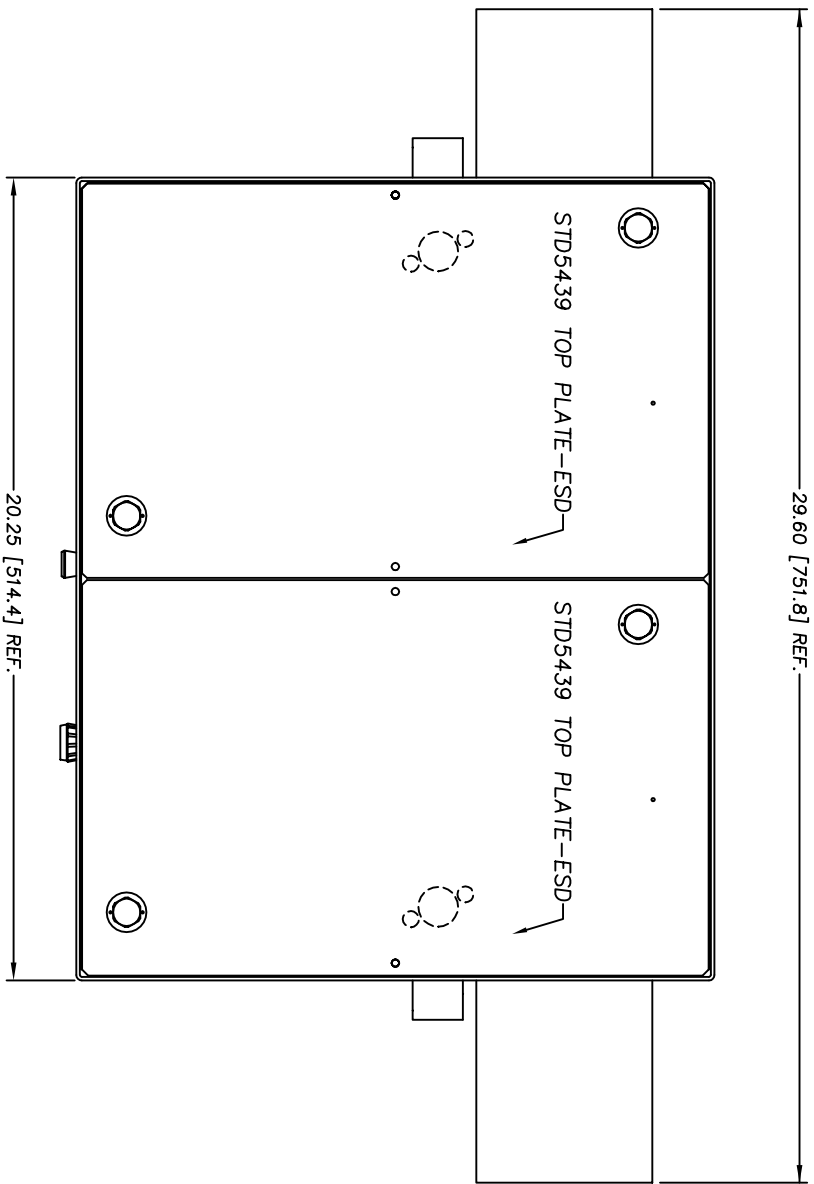


REVISIONS			
LTR	DESCRIPTION	DATE	APPROVED
A	QUICK TMS ^T SERIES	01/01/04	JAG



FILE NO
RZ85024A

UNLESS OTHERWISE SPECIFIED, DIMENSIONS ARE IN INCHES (MM) TOLERANCES ARE:		H+W TEST PRODUCTS SEERONK, MASSACHUSETTS
XX	ANGLES	
±.010	±.005 ±1/2°	FIXTURE ASSEMBLY TERADYNE 800 (14x8 UUT)
MATERIAL		SIZE FSCM NO.
FINISH		DRAWING NO.
NONE		RZ85024
SEE BILL OF MATERIALS		REV.
NEXT ASSY APPLICATION		A
USED ON		SCALE FULL DRAWN JAG 7/18/96 SHEET 1 OF 1
DO NOT SCALE DRAWING		