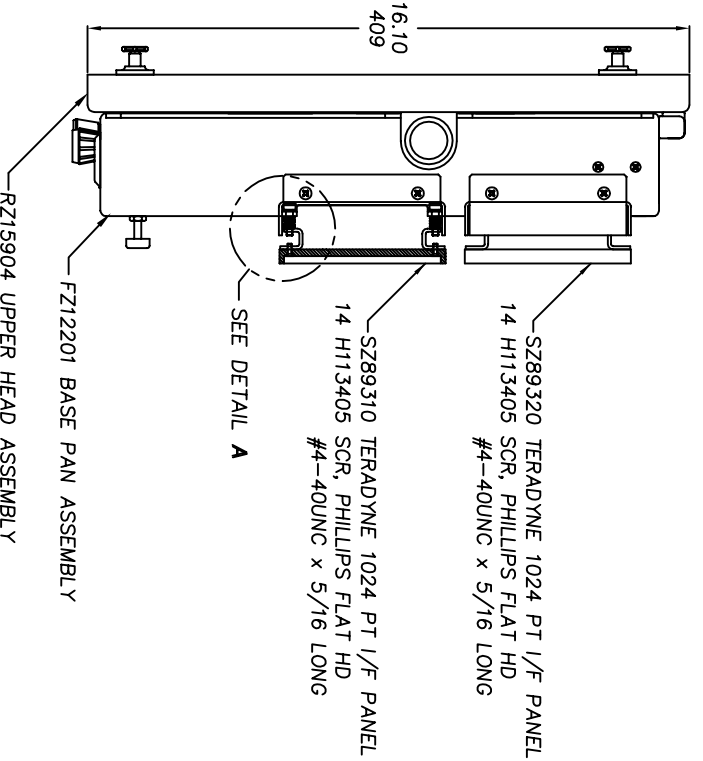
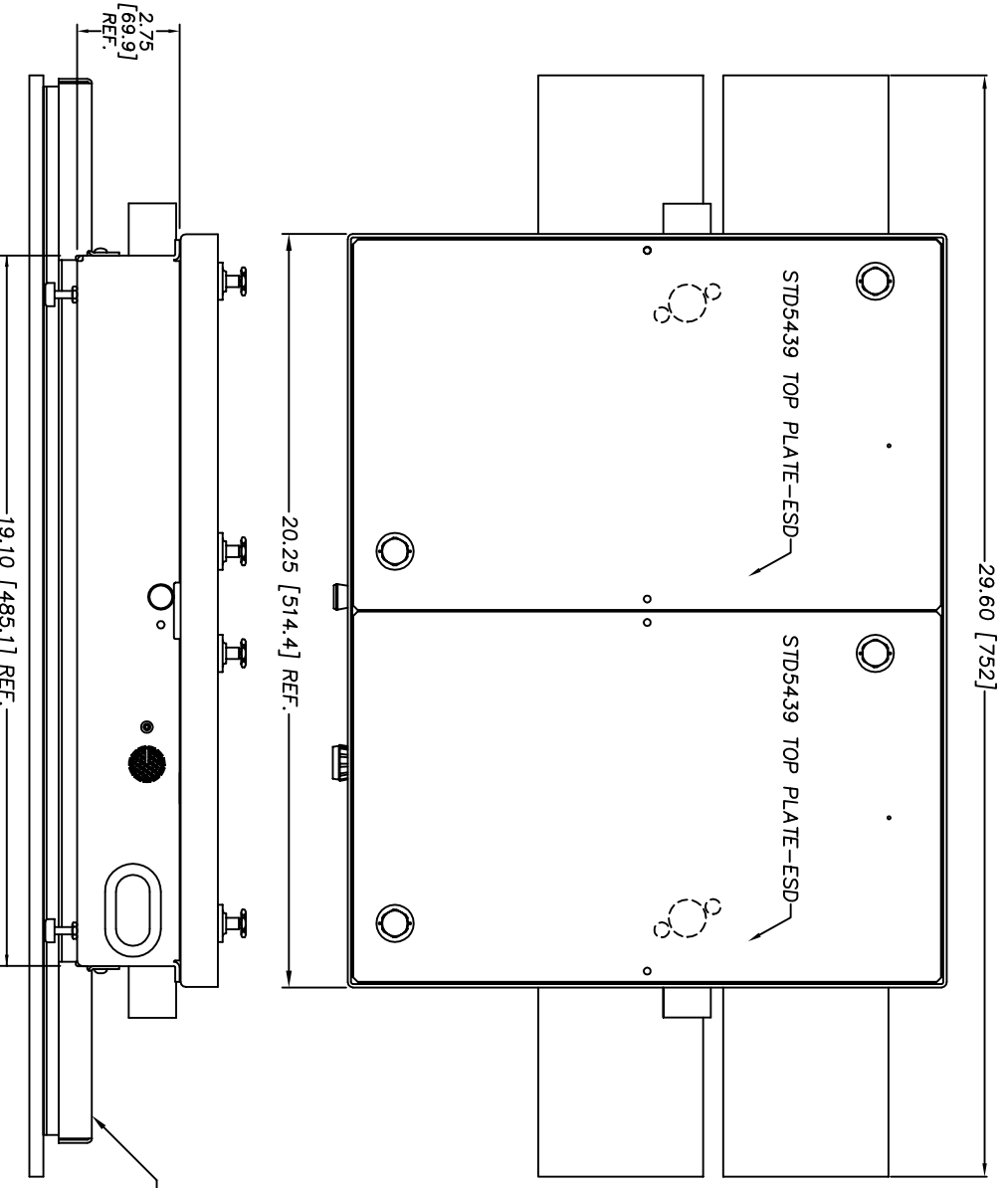
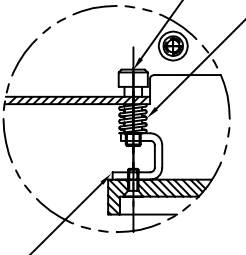


REVISIONS			
LTR	DESCRIPTION	DATE	APPROVED
A	QUICK TWIST SERIES	01/01/04	JAG



- 8 H005006 SPRING, COMP.  
.30 DIA. x .50 LONG
- 8 H115808 SCR, SHOULDER  
.188 DIA. x 1/2 LONG  
#8-32UNC x 1/4 LONG



FILE NO.  
RZ15004A

UNLESS OTHERWISE SPECIFIED DIMENSIONS ARE IN INCHES (MM)		H+W TEST PRODUCTS SEEKONK, MASSACHUSETTS	
XX	XX	FIXTURE ASSEMBLY	
±.015	±.005 ± 1/2	TERADYNE 1820 (14x18 UUT)	
MATERIAL		SIZE / FISON NO.	DRAWING NO.
SEE BILL OF MATERIALS		E	RZ15004
FINISH		SCALE FULL DRAWN	JAG
NONE		7/18/96	SHEET 1 OF 1
NEXT ASSY	USED ON	REV. A	
APPLICATION	DO NOT SCALE DRAWING		