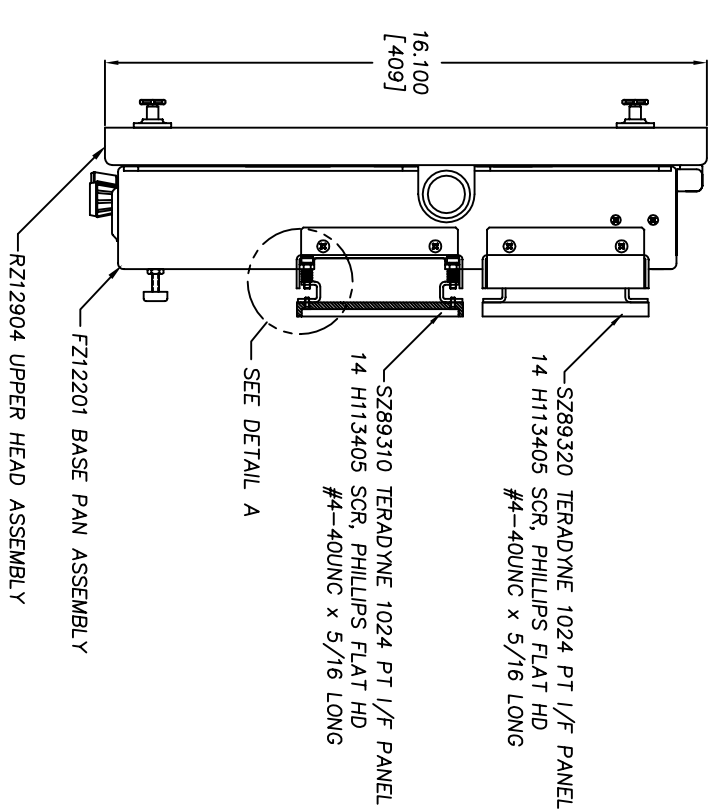
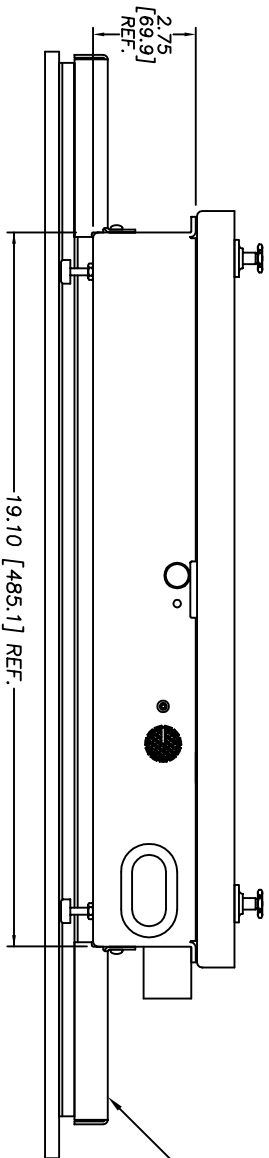
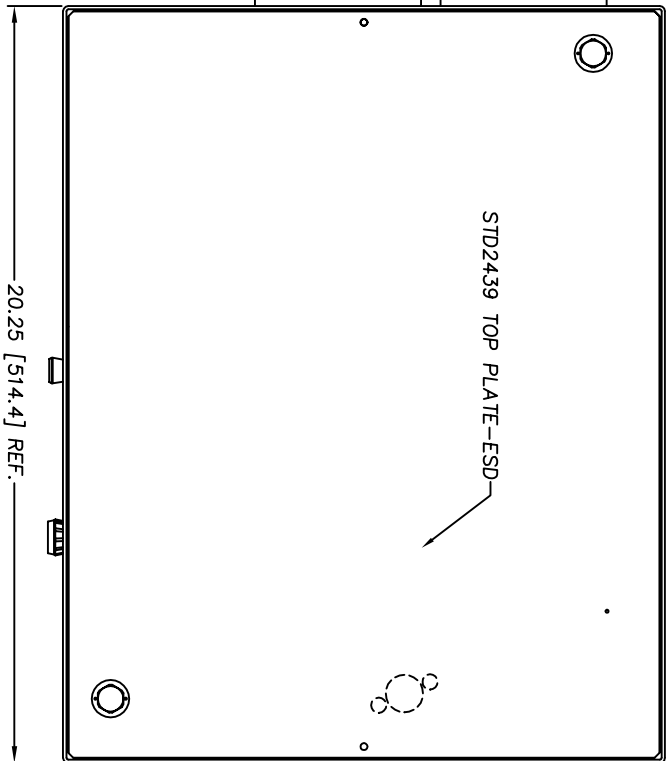
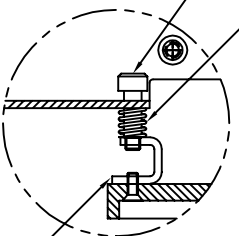


29.60 [752]



- 8 H005006 SPRING, COMP. ϕ .30 x .50 LONG
- 8 H115808 SCR, SHOULDER ϕ .188 x 1/2 LONG #8-32UNC x 1/4 LONG



DETAIL A

4 FZ83215 I/F PANEL STIFFENER

4 FZ82213 COVER PLATE
8 H111806 SCR, PHILLIPS PAN HD
#8-32 x 3/8 LG

REVISIONS		
LTR	DESCRIPTION	DATE
A	QUICK TWIST SERIES	01/01/04
		JAG

FILE NO.
RZ12004A

UNLESS OTHERWISE SPECIFIED DIMENSIONS ARE IN INCHES (MM) TOLERANCES ARE:		H+W TEST PRODUCTS SEEKONK, MASSACHUSETTS	
XX	XX	FIXTURE ASSEMBLY	
XX	XX	TERADYNE 1820 (14x18 UUT)	
±.015	±.005 ±1/2	SIZE / FSON NO.	DRAWING NO.
MATERIAL SEE BILL OF MATERIALS		E	RZ12004
FINISH NONE		SCALE FULL DRAWG	JAG
NEXT ASSY USED ON		7/19/96	SHEET 1 OF 1
APPLICATION		DO NOT SCALE DRAWING	