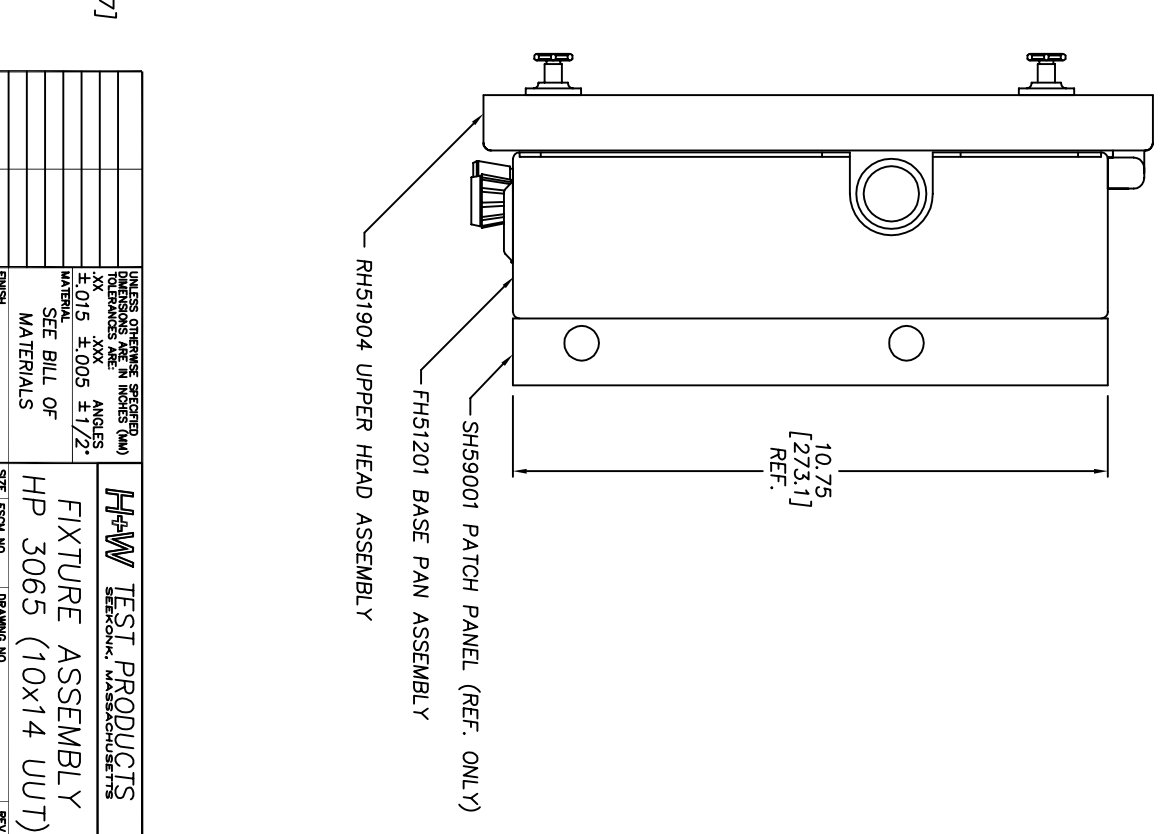
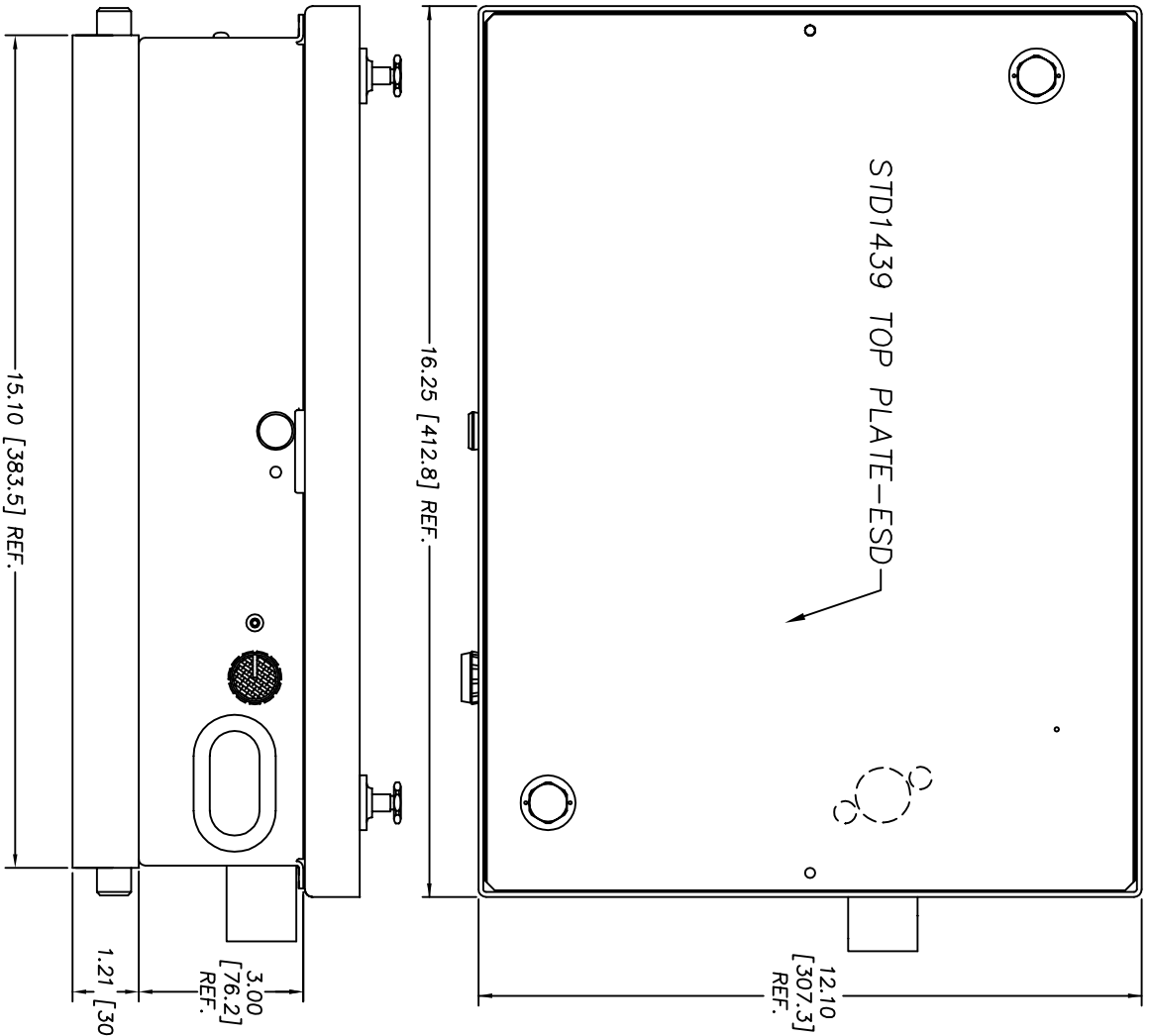


FILE NO.
RH51004A



REVISIONS		
LTR	DESCRIPTION	DATE
A	QUICK TURN SERIES	01/01/07
		JAG

UNLESS OTHERWISE SPECIFIED DIMENSIONS ARE IN INCHES (MM) TOLERANCES ARE: .XX .XXX ANGLES ±.015 ±.005 ±1/2°		H+W TEST PRODUCTS SEEKONK, MASSACHUSETTS	
MATERIAL SEE BILL OF MATERIALS		FIXTURE ASSEMBLY HP 3065 (10x14 UUT)	
FINISH NONE		DRAWING NO. RH51004 A	
NEXT ASSY APPLICATION		SCALE FULL DRAWN JAG 11/22/95 SHEET 1 OF 1	