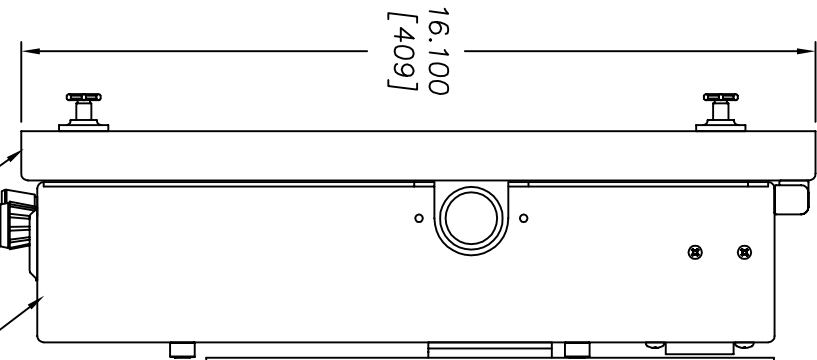
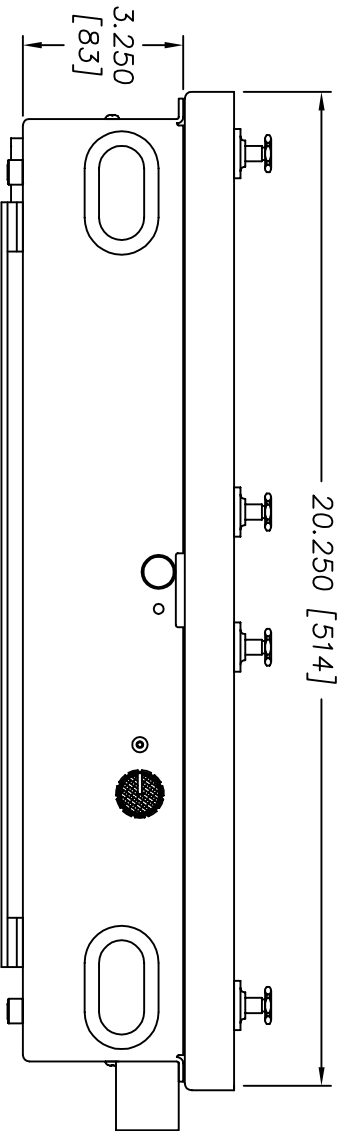
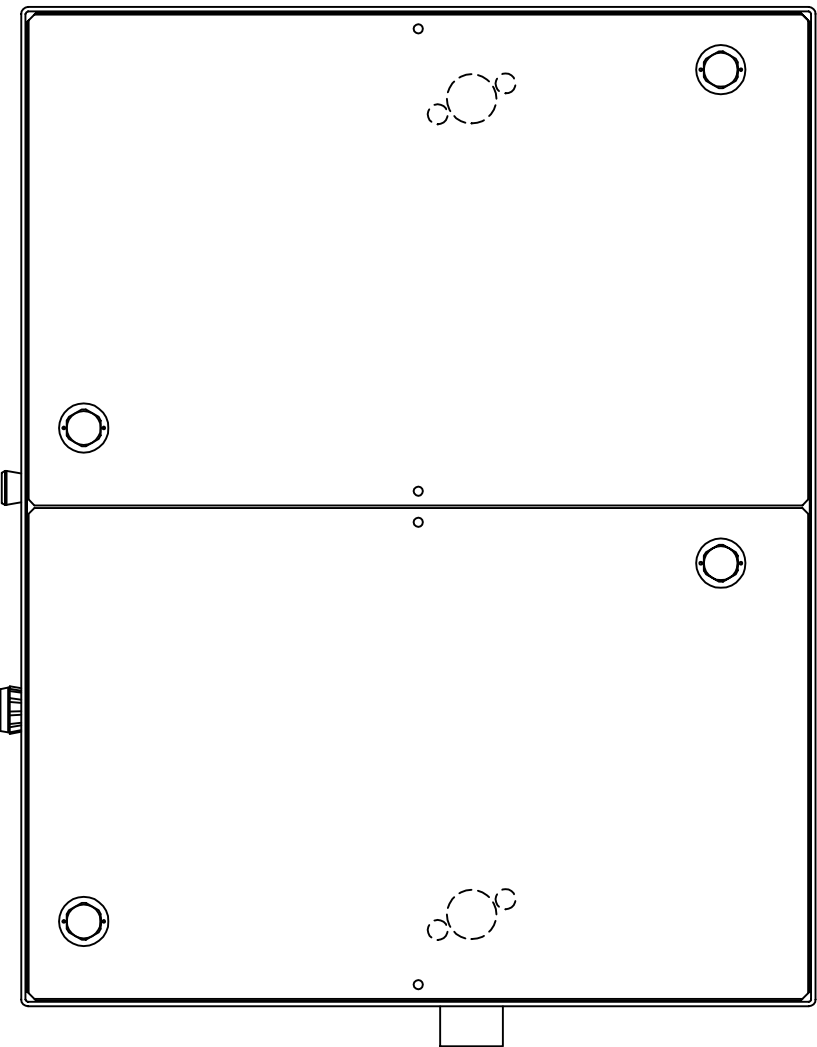


REVISIONS			
LTR	DESCRIPTION	DATE	APPROVED
A	QUICK TWIST SERIES	01/01/04	DLS



RG25904 UPPER HEAD ASSY
 FG25201 BASE ASSY

THIS DRAWING IS FOR ASSEMBLY REFERENCE ONLY.

FILE NO.
 RG25004A

UNLESS OTHERWISE SPECIFIED DIMENSIONS ARE IN INCHES (MM)		H+W TEST PRODUCTS SEEKONK, MASSACHUSETTS	
TOLERANCES ARE:	.XX .XXX	ANGLES	± 0.15 ± .005 ± 1/2°
MATERIAL	SEE BILL OF MATERIALS		
FINISH	NONE		
NEXT ASSY	USED ON	DO NOT SCALE DRAWING	SCALE FULL DRAWN JAG
APPLICATION			11/4/95 SHEET 1 OF 1
FIXTURE ASSEMBLY		SIZE	DRAWING NO.
GENRAD 2272/228X		E	RG25004 A
		REV.	A