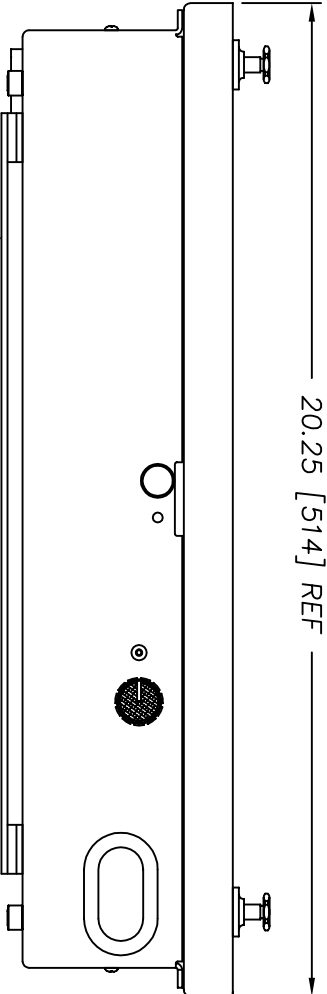
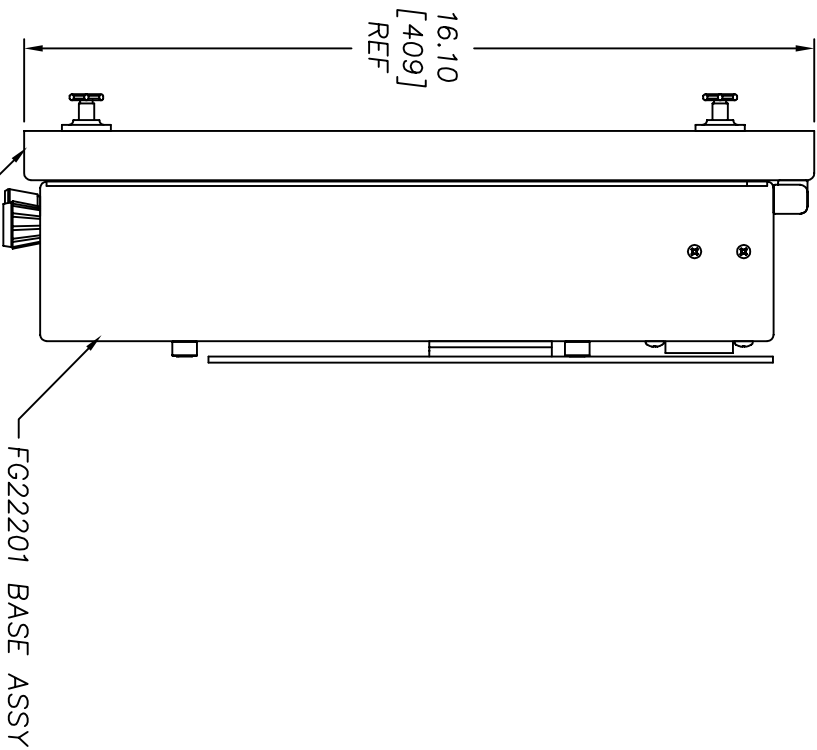
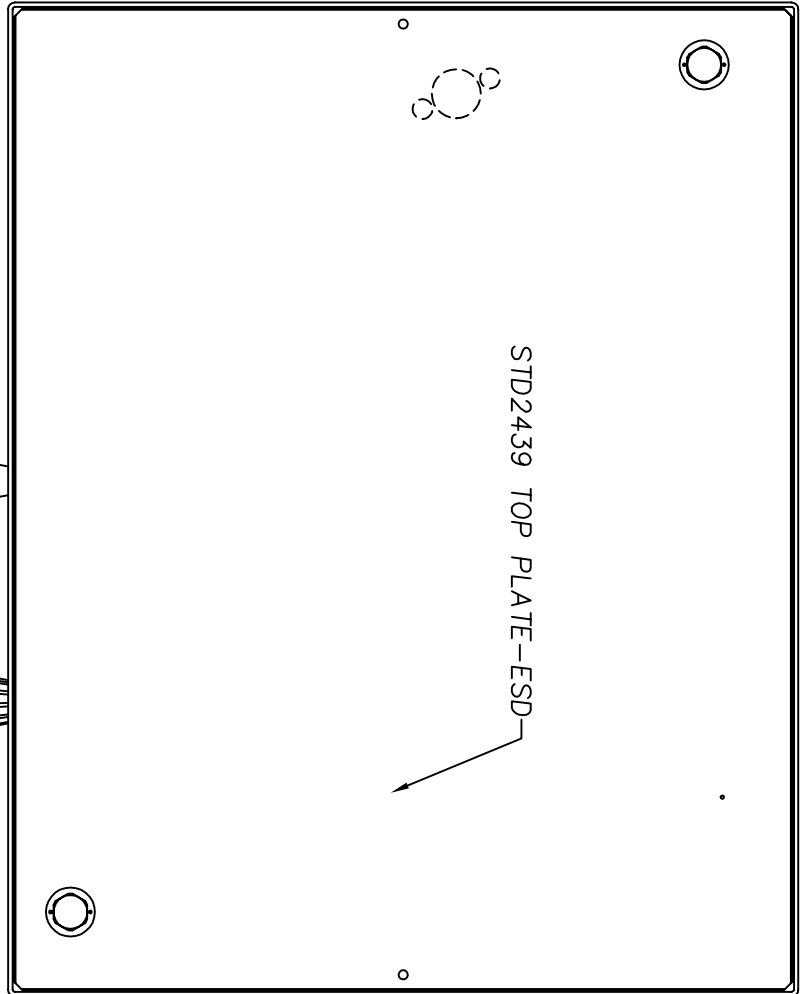


REVISIONS			
LTR	DESCRIPTION	DATE	APPROVED
A	QUICK TWIST SERIES	01/01/04	JAG



THIS DRAWING IS FOR ASSEMBLY REFERENCE ONLY.

UNLESS OTHERWISE SPECIFIED DIMENSIONS ARE IN INCHES (MM)		FINISH		SIZE	DRAWING NO.		REV.
XX	XXX	ANGLES	SEE BILL OF MATERIALS	E	RG22004		A
±.015	±.005	±1/2°	NONE	SCALE FULL DRAWN	JAG	11/9/95	SHEET 1 OF 1
MATERIAL		DO NOT SCALE DRAWING		FIXTURE ASSEMBLY		GENRAD 2272/228X	
TOLERANCES ARE:		APPLICATION		H+W TEST PRODUCTS		SERVONIK, MASSACHUSETTS	
NEXT ASSY		USED ON		GENRAD 2272/228X		SERVONIK, MASSACHUSETTS	
APPLICATION		DO NOT SCALE DRAWING		GENRAD 2272/228X		SERVONIK, MASSACHUSETTS	

FILE NO.
RG22004A