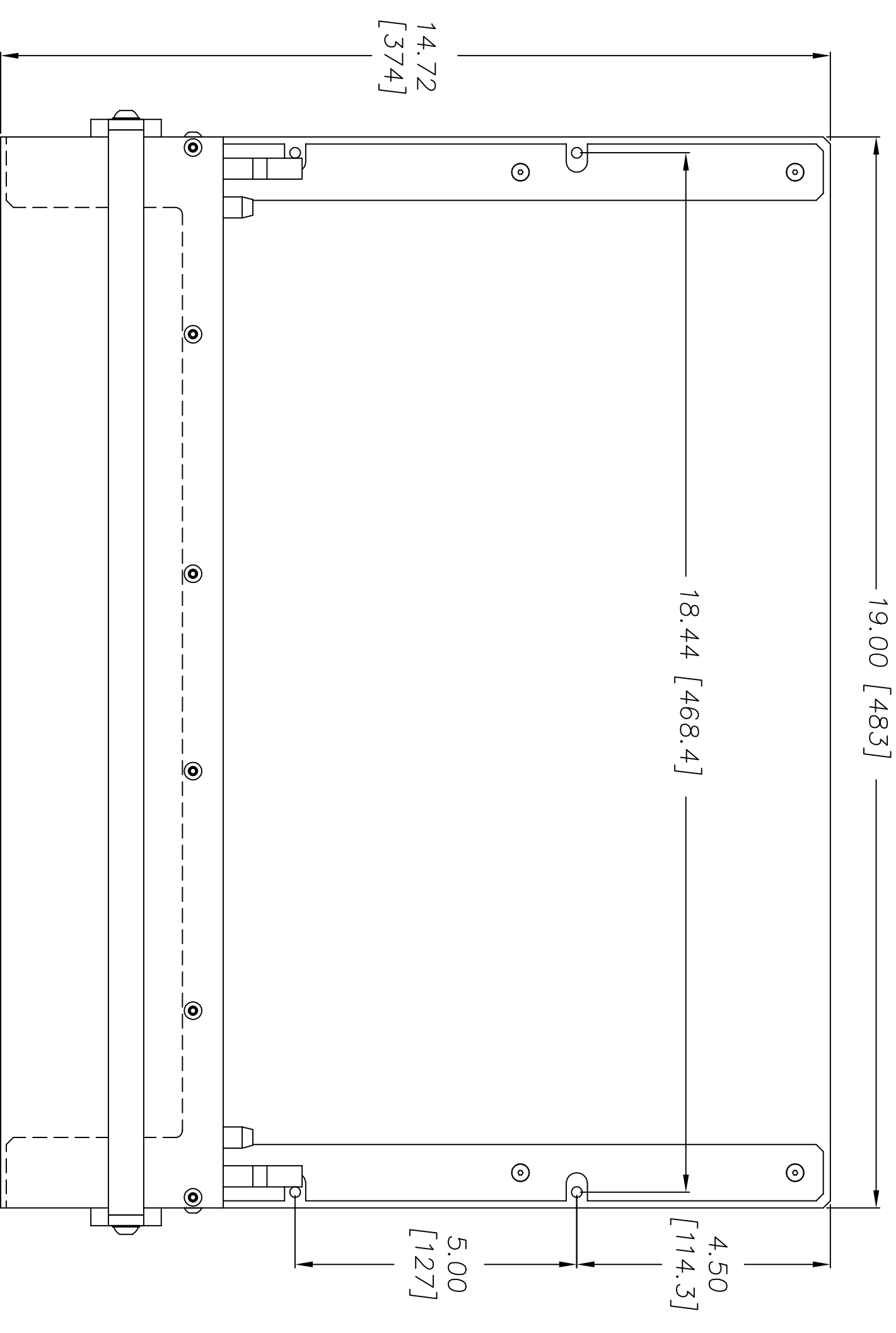
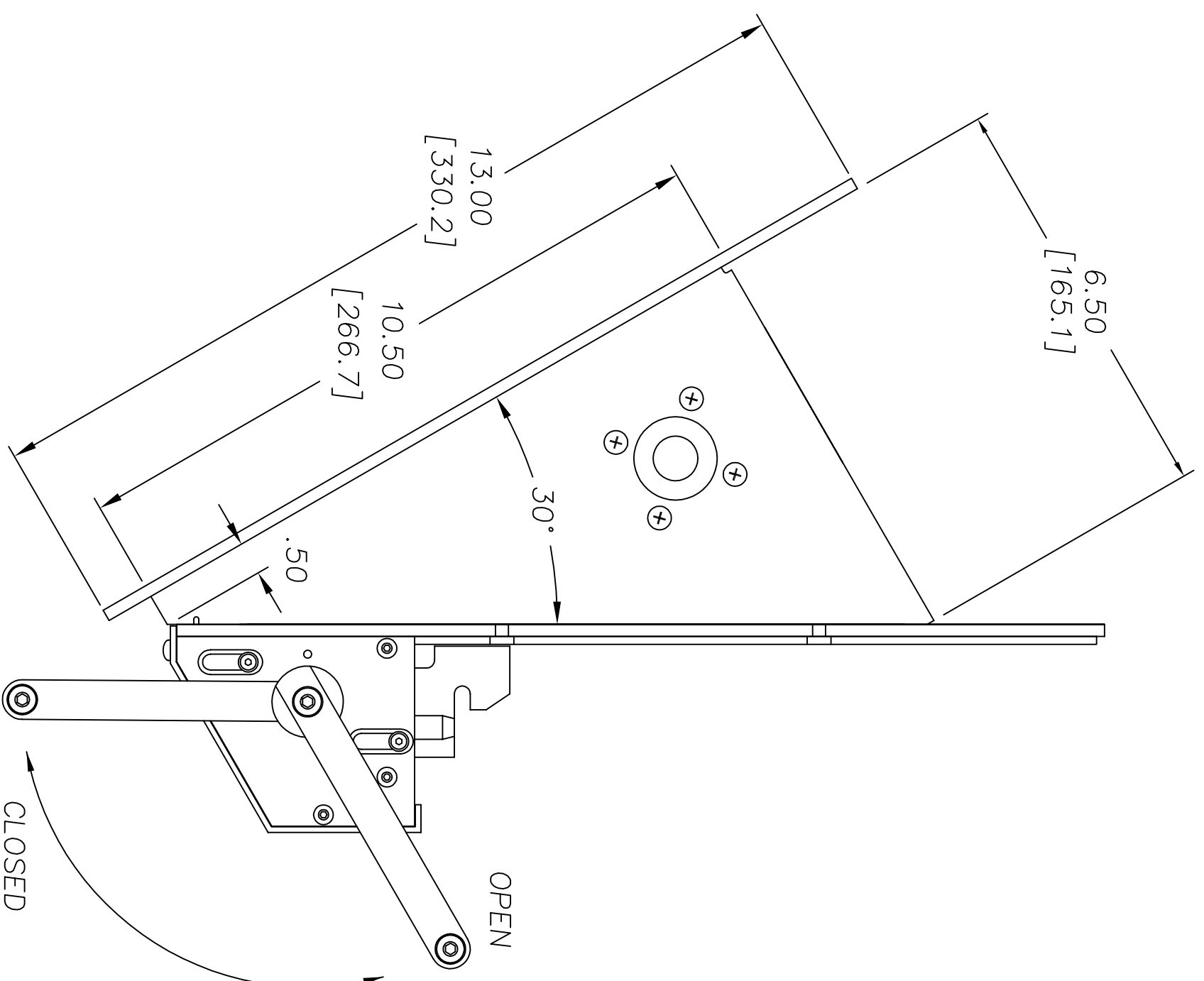
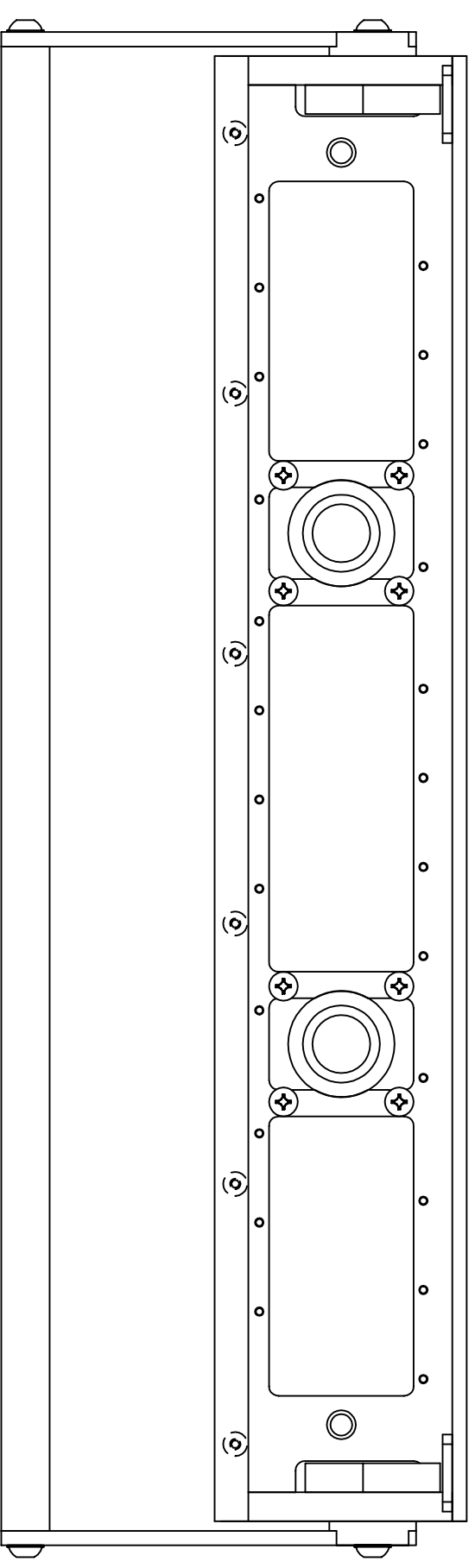


| REVISIONS | | | |
|-----------|-----------------------|---------|----------|
| LTR | DESCRIPTION | DATE | APPROVED |
| A | RELEASE TO PRODUCTION | 5/27/97 | JAG |



THIS DRAWING IS FOR CUSTOMER REFERENCE ONLY

H+W TEST PRODUCTS
SEEKONK, MASSACHUSETTS

30° RECEIVER ASSY
GENRAD 2270/2271

| | | | |
|---|-----------------------|-------------|--------|
| UNLESS OTHERWISE SPECIFIED DIMENSIONS ARE IN INCHES (MM) | .XX | .XXX | ANGLES |
| TOLERANCES ARE: | ±.015 | ±.005 | ±1/2° |
| MATERIAL | SEE BILL OF MATERIALS | | |
| FINISH | NONE | | |
| DO NOT SCALE DRAWING | SCALE | FULL DRAWN | JAG |
| SIZE | FSQM NO. | DRAWING NO. | REV. |
| E | | RG09330 | A |
| NEXT ASSY | USED ON | APPLICATION | |

FILE NO.
RG09330A