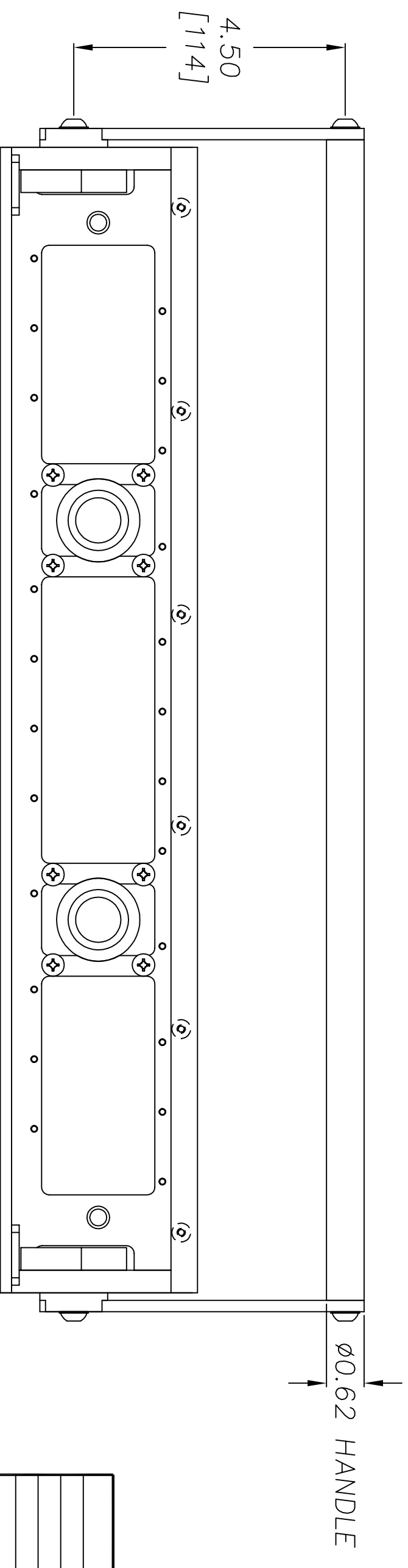
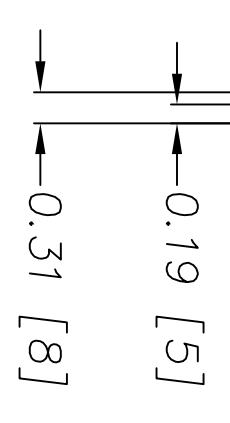
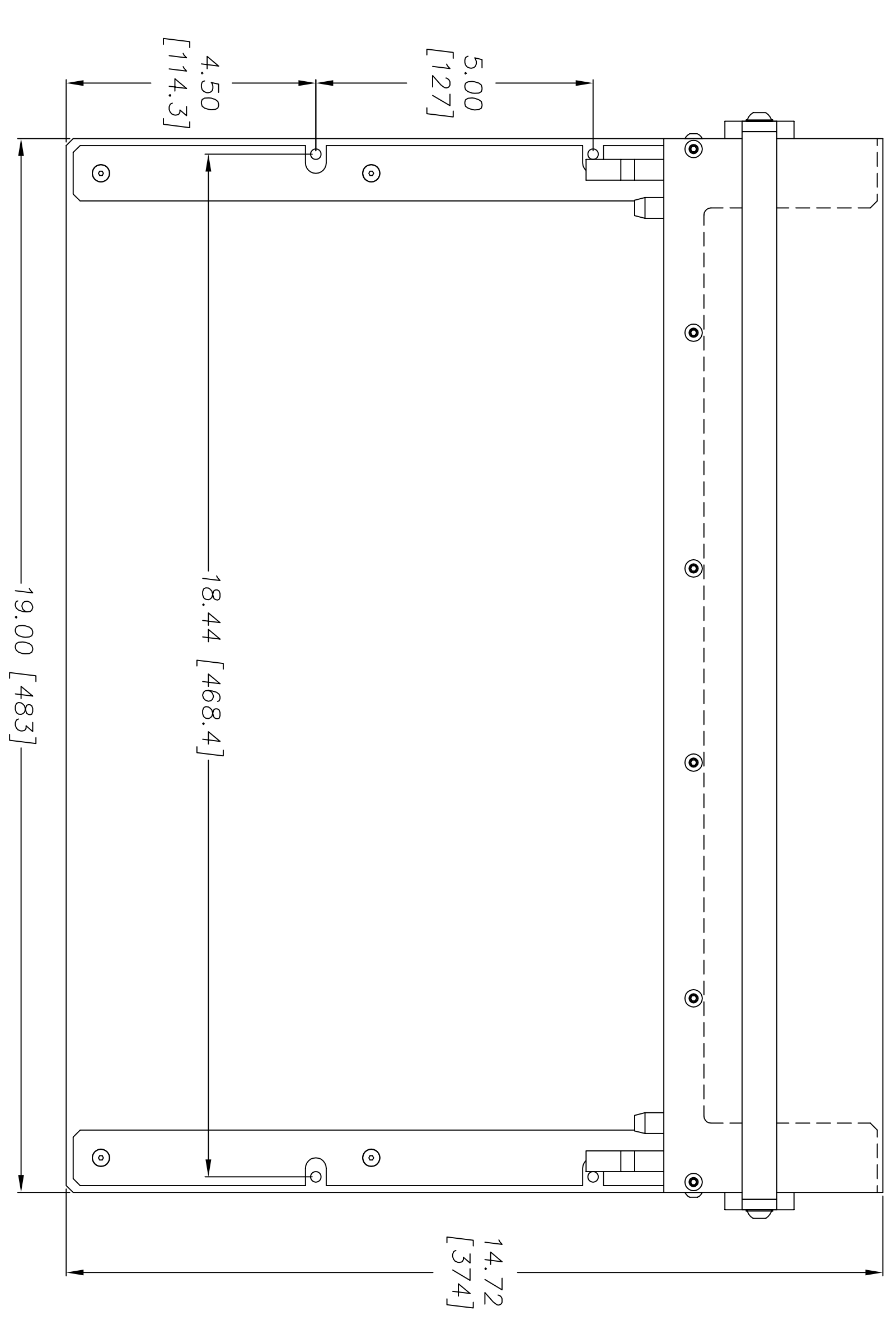
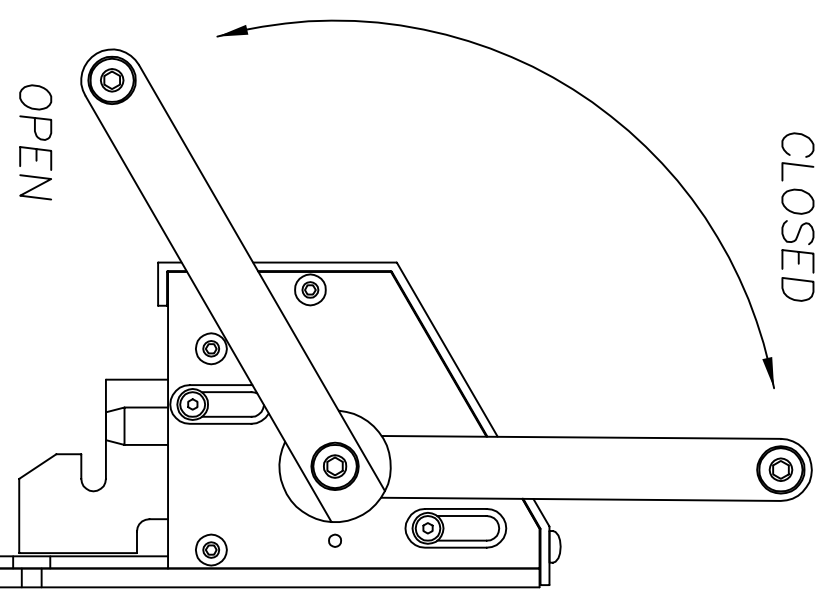


REVISIONS			
LTR	DESCRIPTION	DATE	APPROVED
A	RELEASE TO PRODUCTION	10/27/99	JAG



FILE NO.
RG09001A

UNLESS OTHERWISE SPECIFIED DIMENSIONS ARE IN INCHES (MM) TOLERANCES ARE:		FINISH NONE	DO NOT SCALE DRAWING
.XX	.XXX		
MATERIAL SEE BILL OF MATERIALS		SIZE	SCALE FULL DRAWN
NEXT ASSY APPLICATION		FSQM NO.	DRAWING NO.
		E	RG09001 A
		SCALE FULL DRAWN	JAG 03/03/99 SHEET 1 OF 1

H+W TEST PRODUCTS
SEEKONK, MASSACHUSETTS

RECEIVER ASSEMBLY
GENRAD 2270