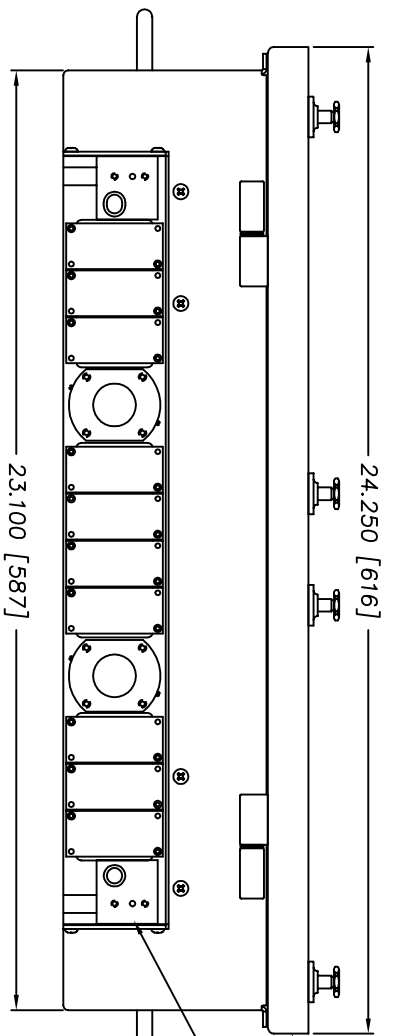
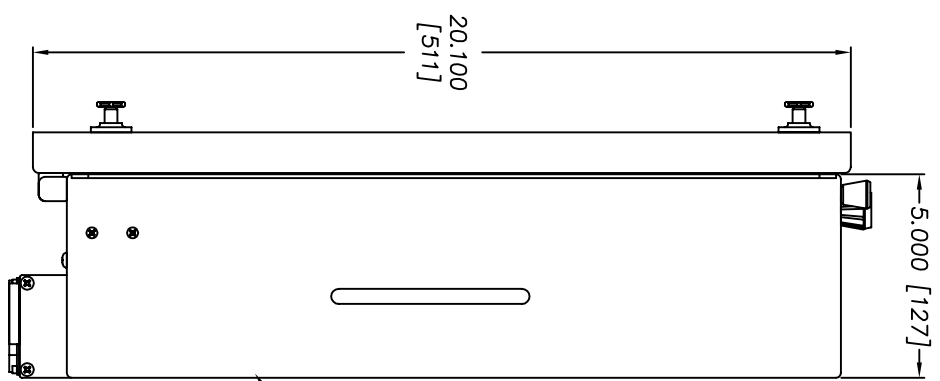
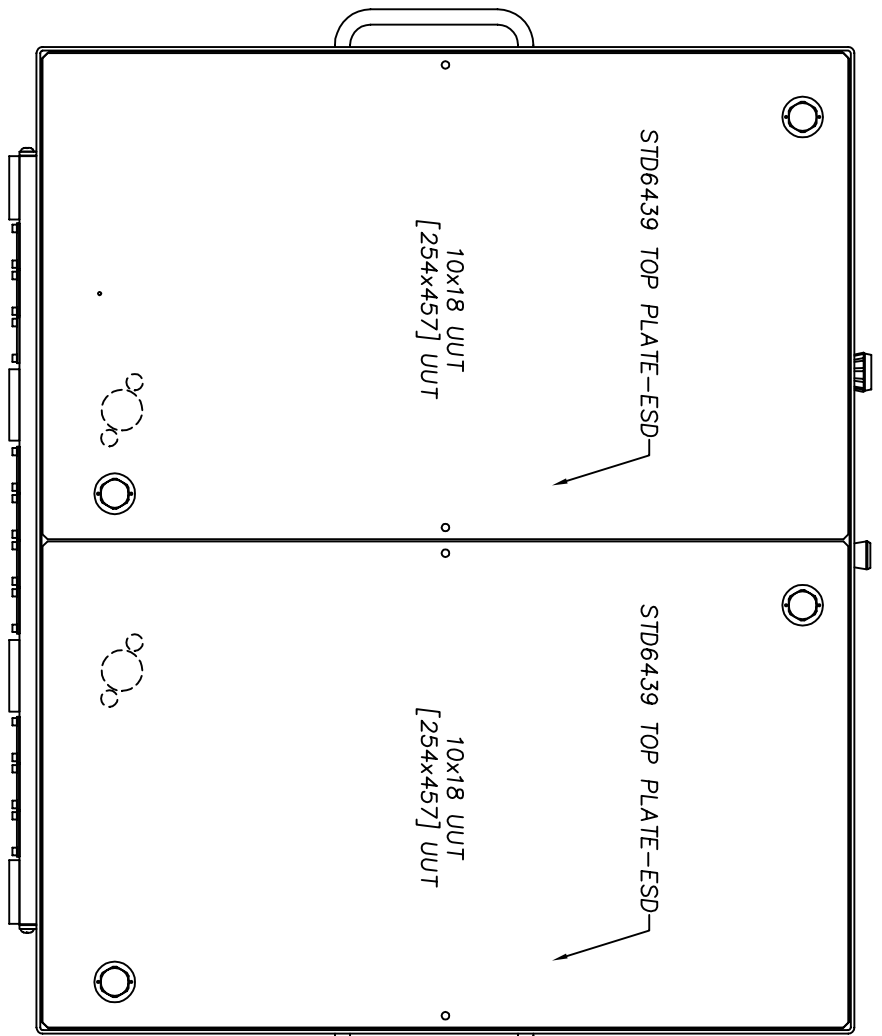


REVISIONS			
LTR	DESCRIPTION	DATE	APPROVED
A	QUICK TWIST SERIES	01/01/2007	JAG



THIS DRAWING IS FOR ASSEMBLY REFERENCE ONLY.

H+W TEST PRODUCTS
SERVING MASSACHUSETTS

FIXTURE ASSEMBLY
GENRAD 2270/2271

FILE NO.
RG06054A

UNLESS OTHERWISE SPECIFIED DIMENSIONS ARE IN INCHES (MM)	SIZE	FSOM NO.	DRAWING NO.
ANGLES	E		RG06054 A
±.015 ±.005 ±1/2"	SCALE FULL DRAWN		
MATERIAL	JAG 07/01/2007 SHEET 1 OF 1		
SEE BILL OF MATERIALS			
FINISH			
DO NOT SCALE DRAWING			
USED ON			
NEXT ASSY			
APPLICATION			