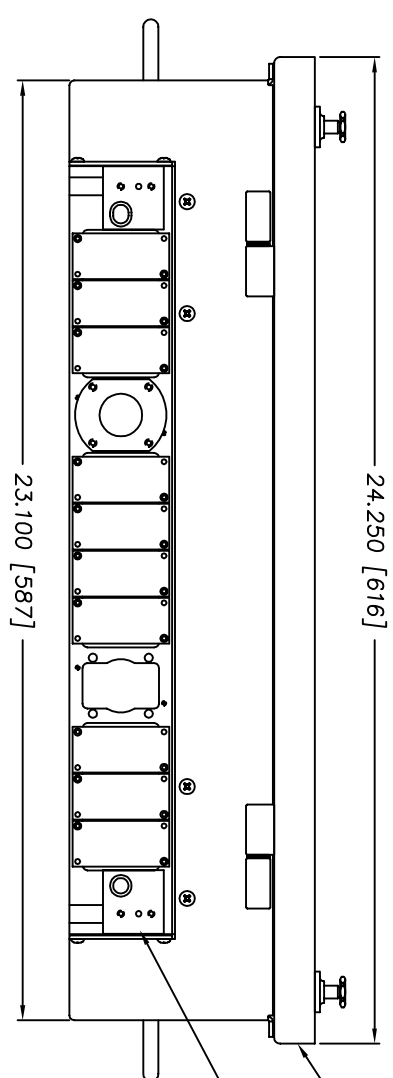
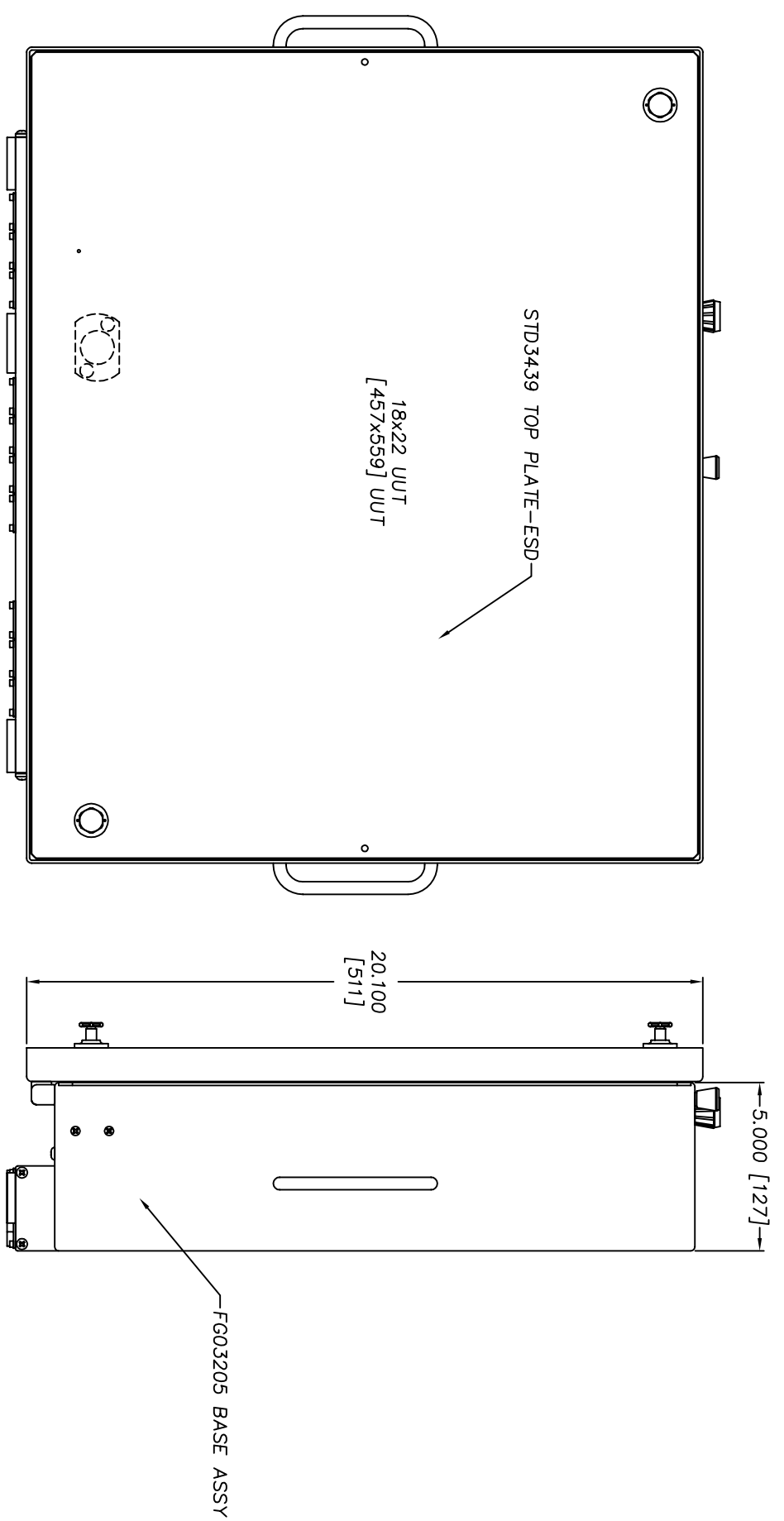


REVISIONS			
LTR	DESCRIPTION	DATE	APPROVED
A	QUICK TWIST SERIES	01/01/2007	JAG



THIS DRAWING IS FOR ASSEMBLY REFERENCE ONLY.

H+W TEST PRODUCTS
SERVING MASSACHUSETTS

UNLESS OTHERWISE SPECIFIED
DIMENSIONS ARE IN INCHES (MM)
XX ANGLES
± 0.15 ± 0.05 ± 1/2"
MATERIAL
SEE BILL OF MATERIALS
FINISH

SIZE	FSOM NO.	DRAWING NO.	REV.
E		RG03054	A

SCALE	FULL DRAWING	JAG	01/01/2007	SHEET 1 OF 1
DO NOT SCALE DRAWING	USED ON	APPLICATION		

FILE NO.
RG03054A