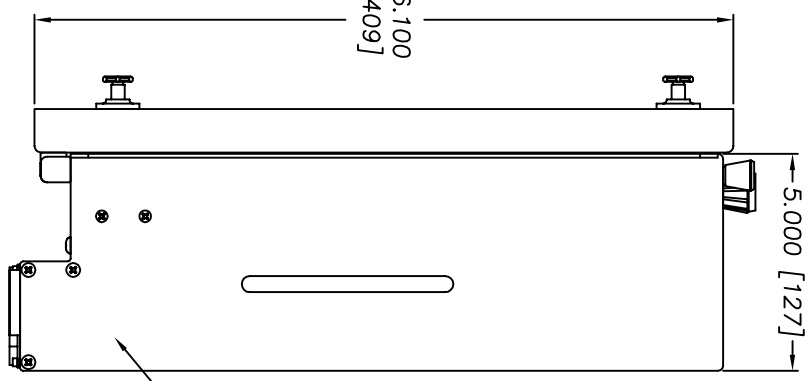
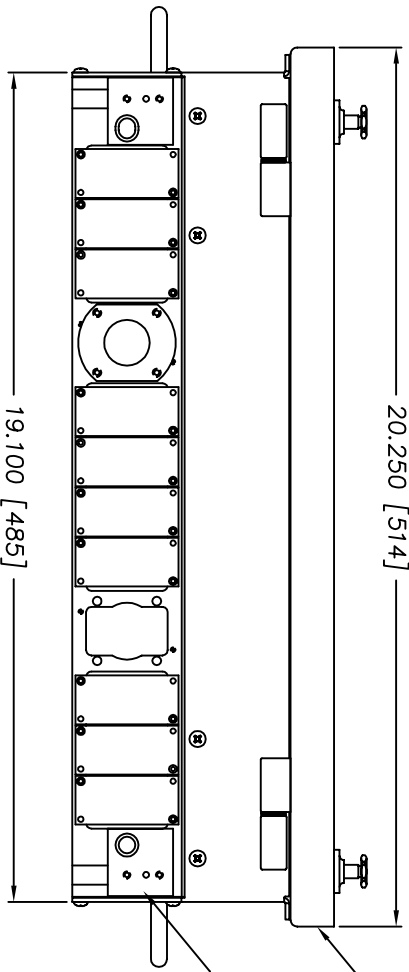
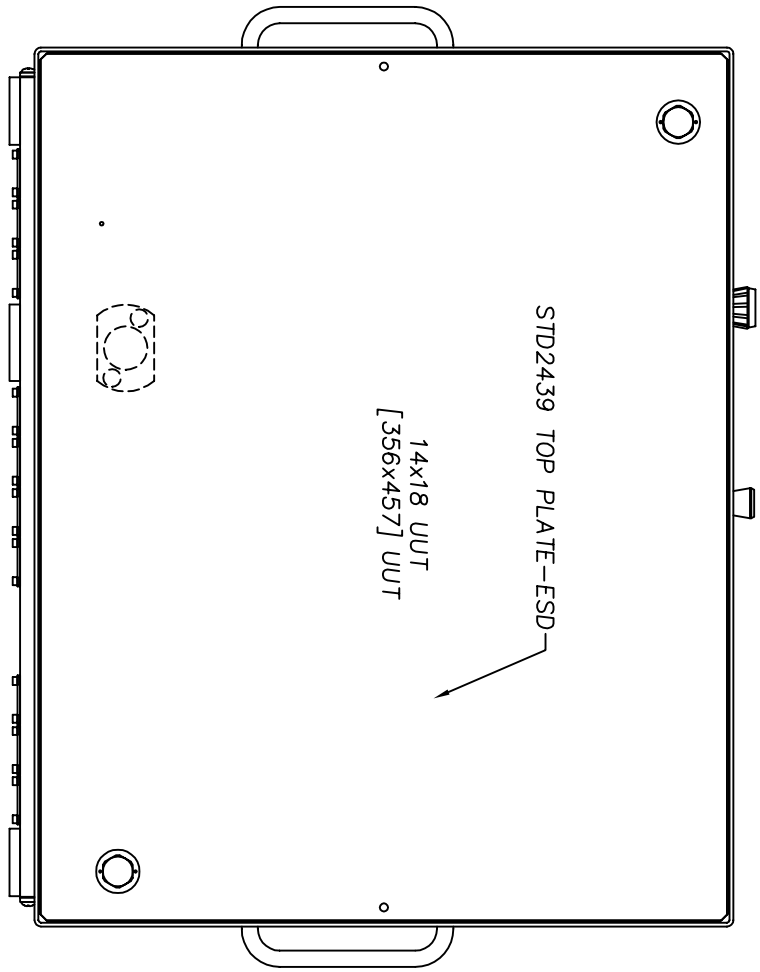


REVISIONS			
LTR	DESCRIPTION	DATE	APPROVED
A	QUICK TWIST SERIES	01/01/2007	JAG



FILE NO.
RG02054A

UNLESS OTHERWISE SPECIFIED DIMENSIONS ARE IN INCHES (MM) TOLERANCES ARE: .XX .XX .XX ANGLES F.015 F.005 ±1/2° MATERIAL SEE BILL OF MATERIALS FINISH		DO NOT SCALE DRAWING	SCALE FULL DRAWN JAG 01/01/2007 SHEET 1 OF 1
NEXT ASSY APPLICATION	USED ON		
H+W TEST PRODUCTS SEEKONK, MASSACHUSETTS FIXTURE ASSEMBLY GENRAD 2270/2271		SIZE FSQM NO.	DRAWING NO. RG02054 A
		REV.	