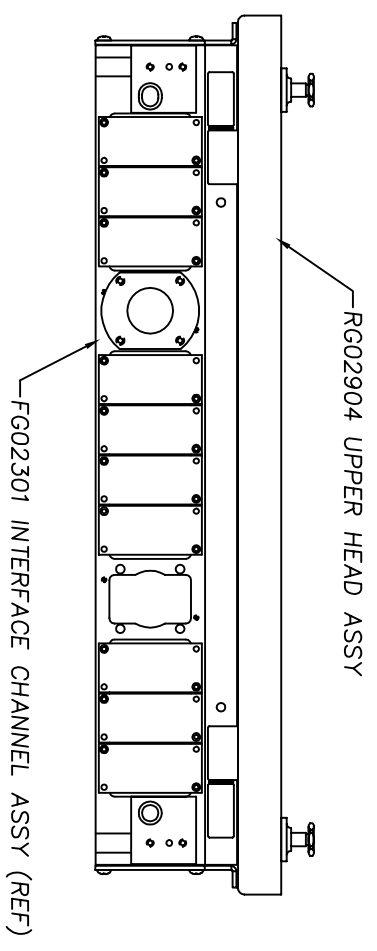
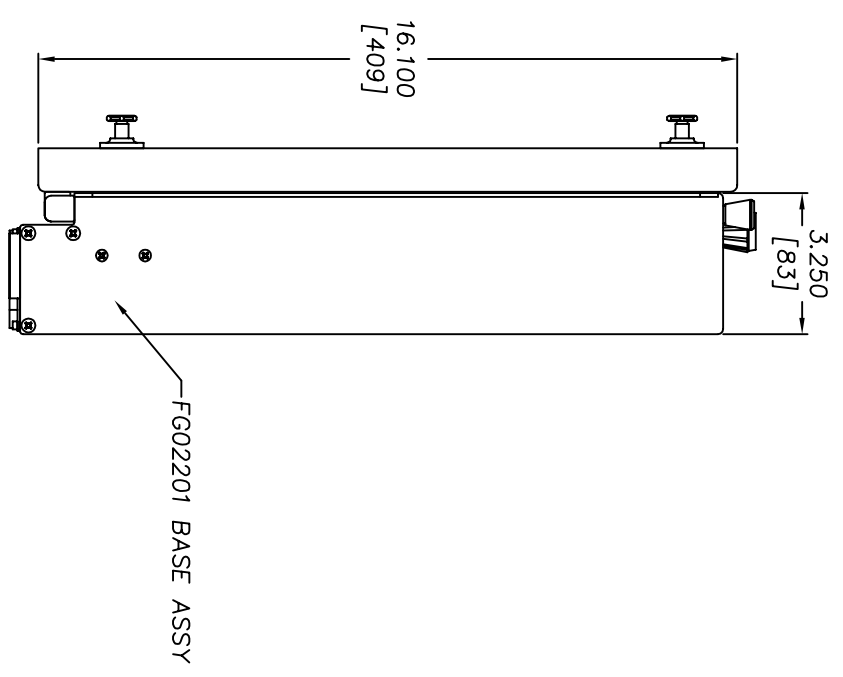
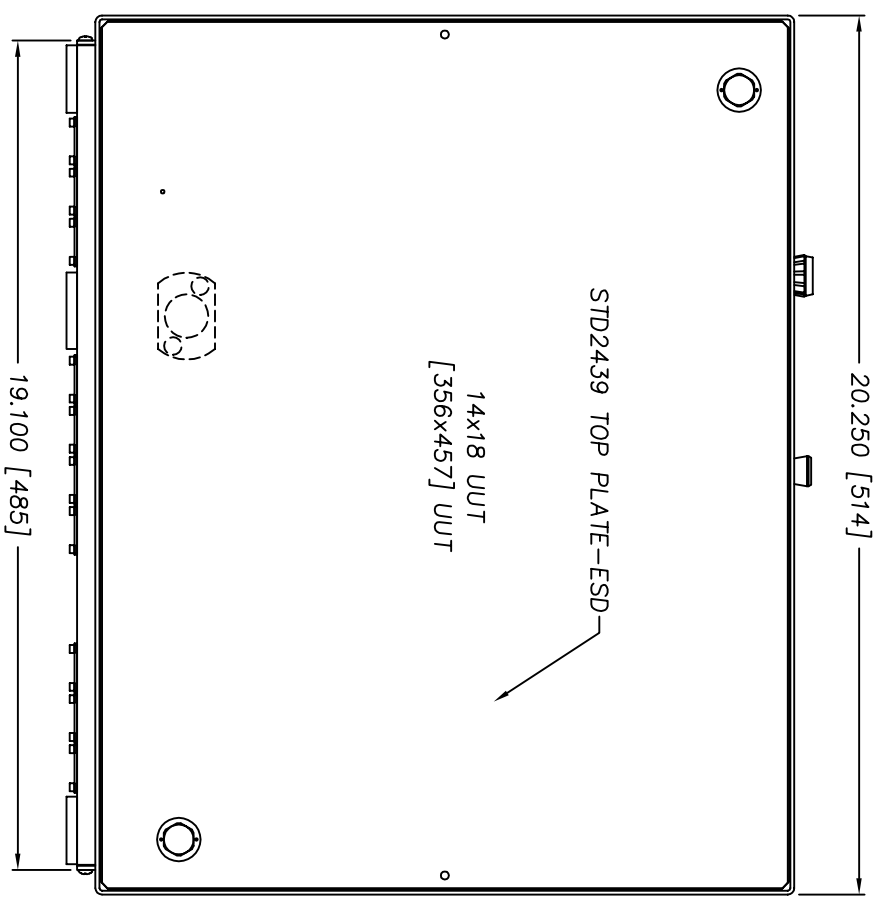


REVISIONS			
LTR	DESCRIPTION	DATE	APPROVED
A	QUICK TWIST SERIES	01/01/2007	JAG



FILE NO.  
RG02004A

UNLESS OTHERWISE SPECIFIED DIMENSIONS ARE IN INCHES (MM) TOLERANCES ARE: .XX .XX .015 F.005 ±1/2"	SEE BILL OF MATERIALS	FINISH	DO NOT SCALE DRAWING	USED ON	NEXT ASSY APPLICATION
<b>H+W TEST PRODUCTS</b> SEEKONK, MASSACHUSETTS <b>FIXTURE ASSEMBLY</b> GENRAD 2270/2271 SIZE: FSQM NO. DRAWING NO. REV. D RGO2004 A SCALE FULL DRAWN JAG 01/01/2007 SHEET 1 OF 1					