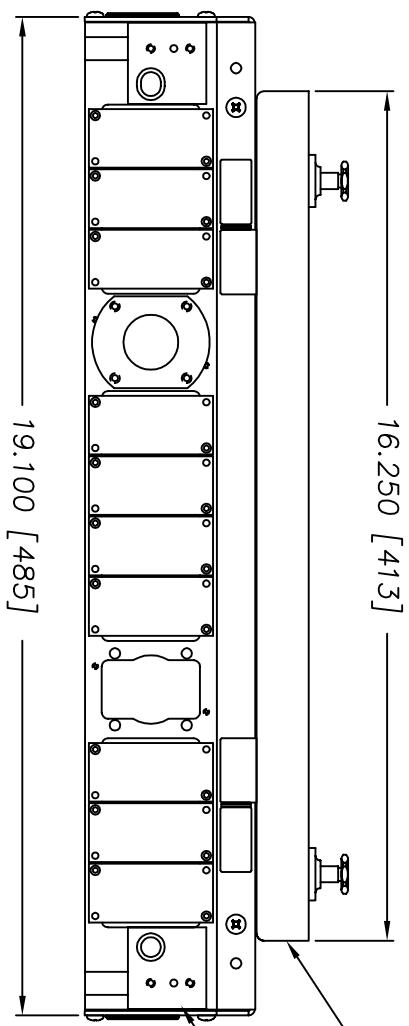
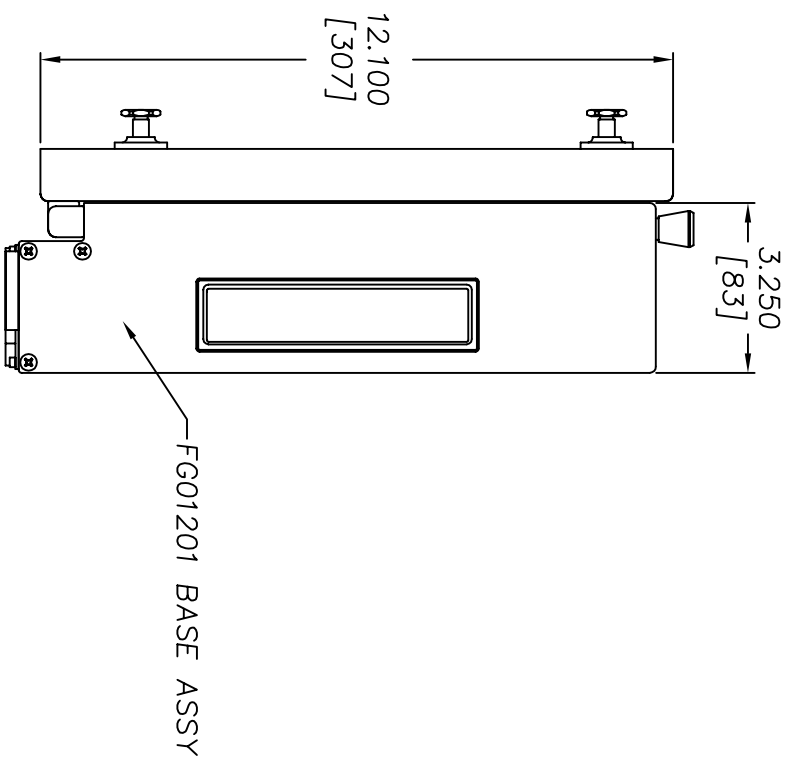
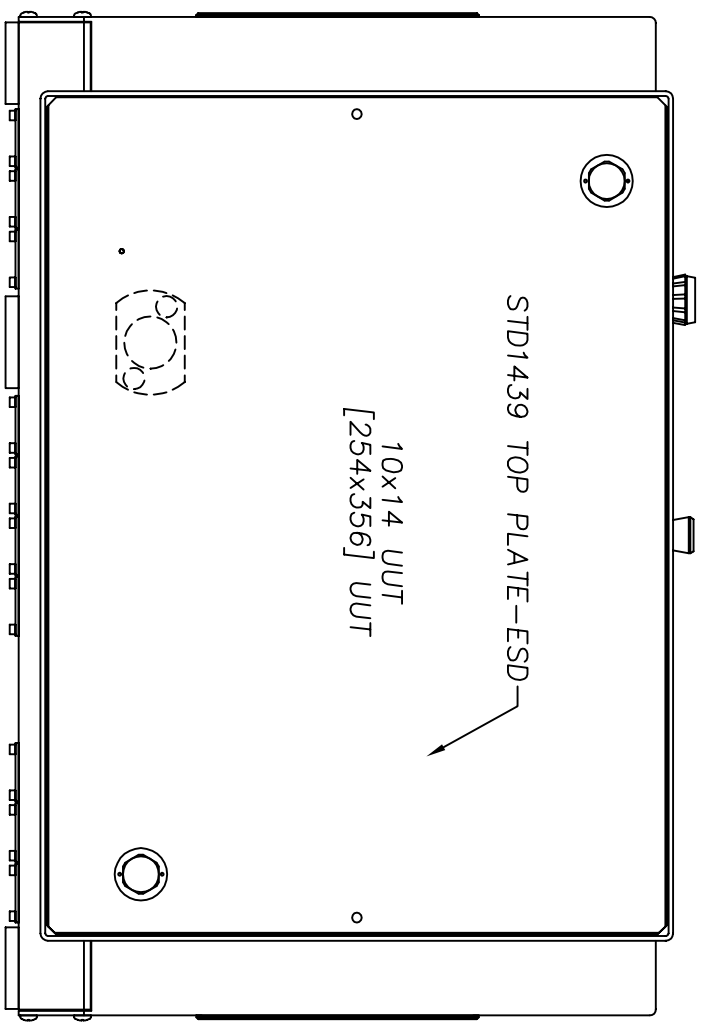


REVISIONS			DATE	APPROVED
LTR	DESCRIPTION			
A	QUICK TWIST SERIES		01/01/2007	JAG



RG01904 UPPER HEAD ASSY

FG02301 INTERFACE CHANNEL ASSY (REF)

FG01201 BASE ASSY

FILE NO.
RG01004A

UNLESS OTHERWISE SPECIFIED DIMENSIONS ARE IN INCHES (MM)		H+W TEST PRODUCTS SERVING MASSACHUSETTS	
XX	ANGLES	± 0.15	± 1/2°
XXX		± 0.05	
MATERIAL		SEE BILL OF MATERIALS	
FINISH		NONE	
NEXT ASSY	USED ON	SCALE	FULL DRAWING
APPLICATION		JAG	07/01/2007
SIZE FROM NO.		DRAWING NO.	REV.
E		RG01004	A
FIXTURE ASSEMBLY		GENRAD 2270/2271	