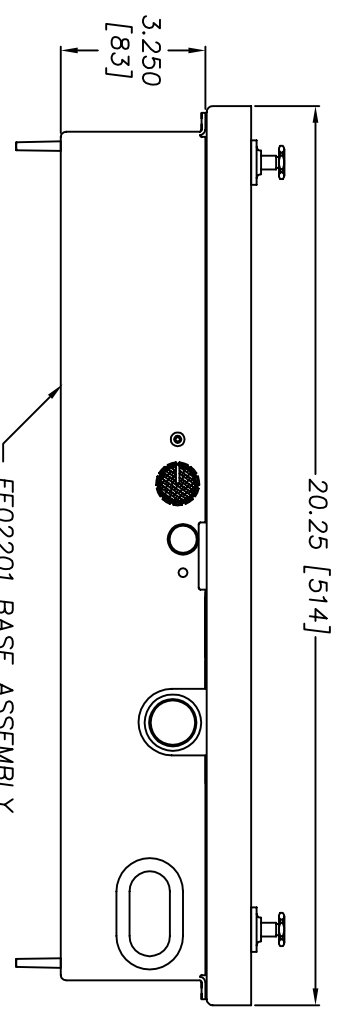
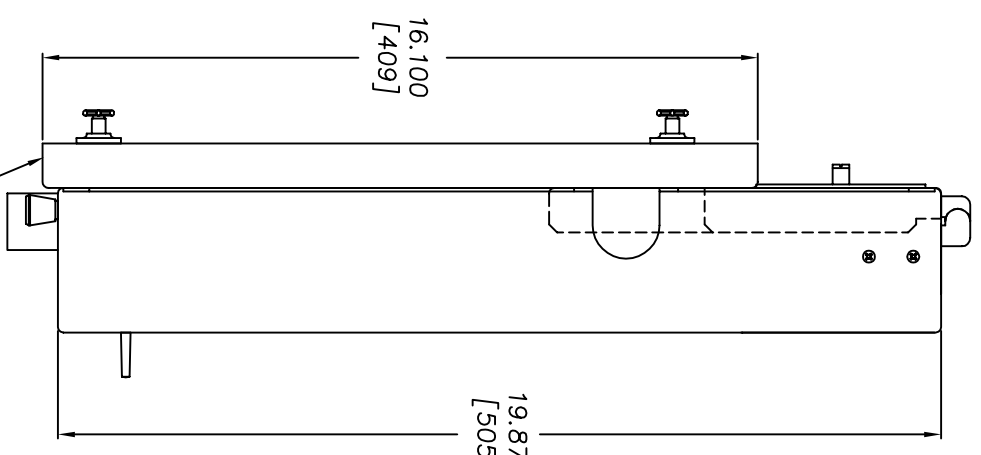
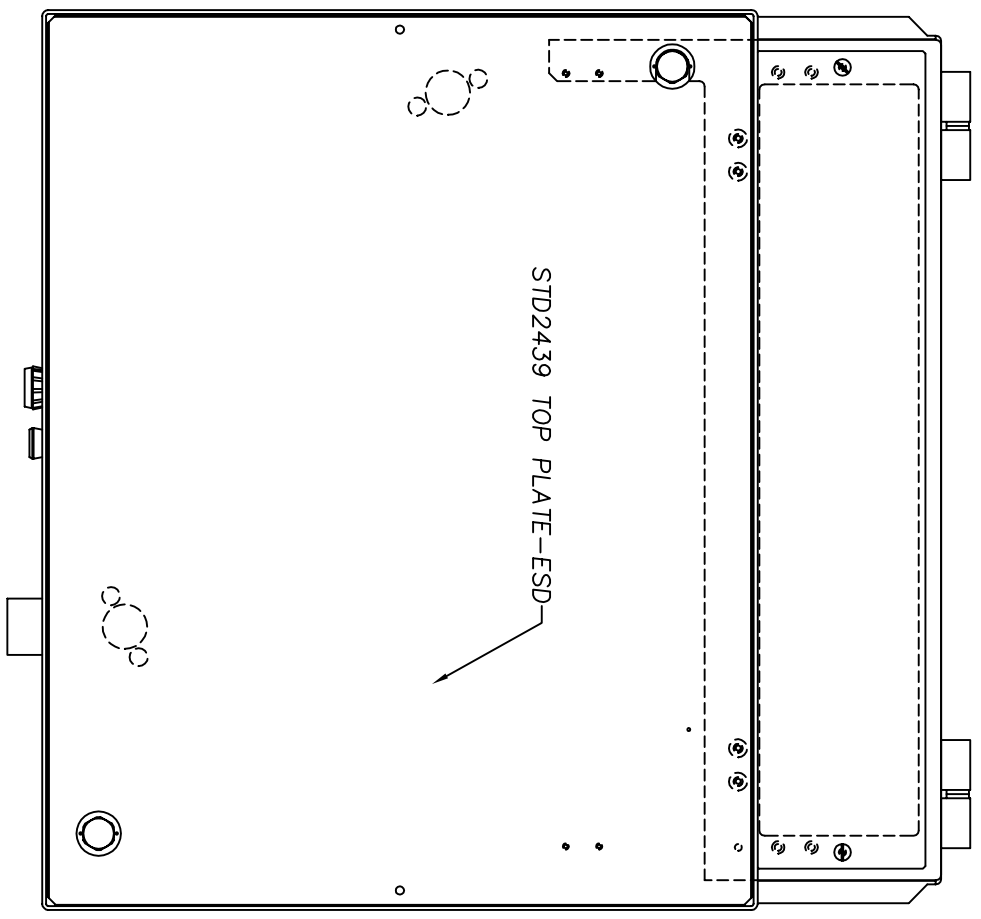


REVISIONS			
LTR	DESCRIPTION	DATE	APPROVED
A	QUICK TWIST SERIES	11/10/95	JAG



FILE NO.
RF02004A

UNLESS OTHERWISE SPECIFIED DIMENSIONS ARE IN INCHES (MM)	
TOLERANCES ARE:	ANGLES
.XX	.XXX
±.010	±.005 ±1/2°
MATERIAL SEE BILL OF MATERIALS	
FINISH NONE	
NEXT ASSY APPLICATION	INDUSTRY
DO NOT SCALE DRAWING	SCALE FULL DRAWING
H+W TEST PRODUCTS SEABOARD, MASSACHUSETTS FIXTURE ASSEMBLY FACTRON 303/333 (14x18 UT) SIZE: FSCM NO. DRAWING NO. REV. E RF02004 A	
SCALE FULL DRAWING JAG 11/10/95 SHEET 1 OF 1	