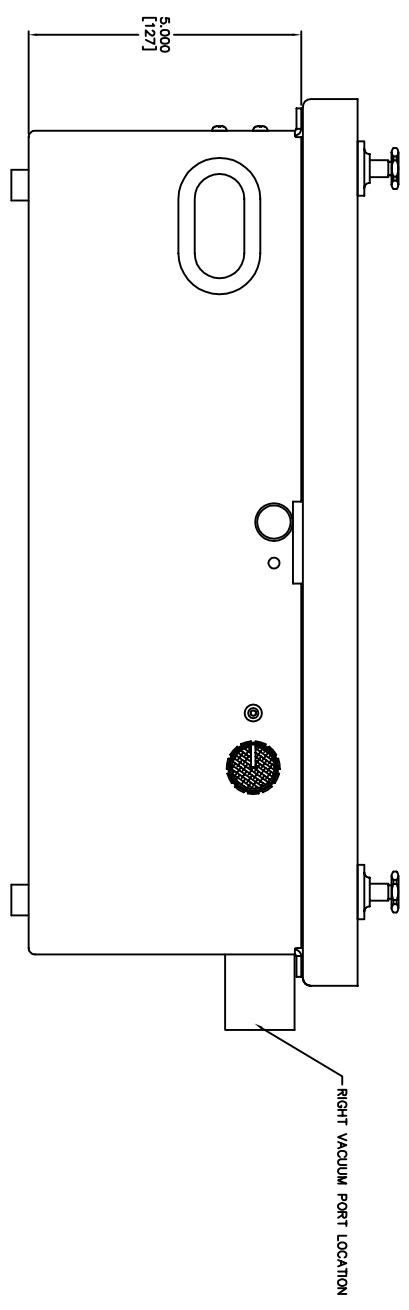
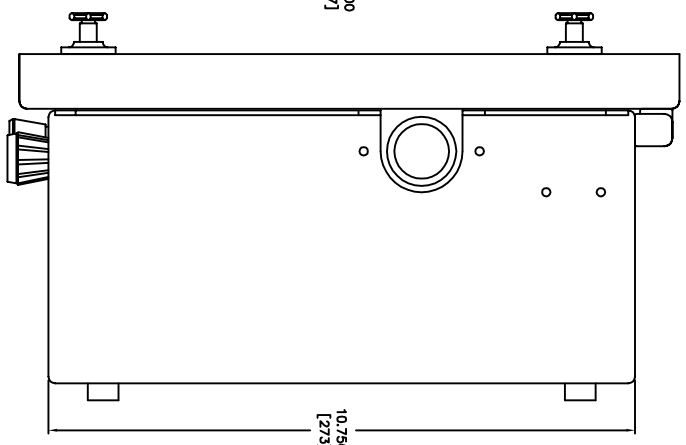
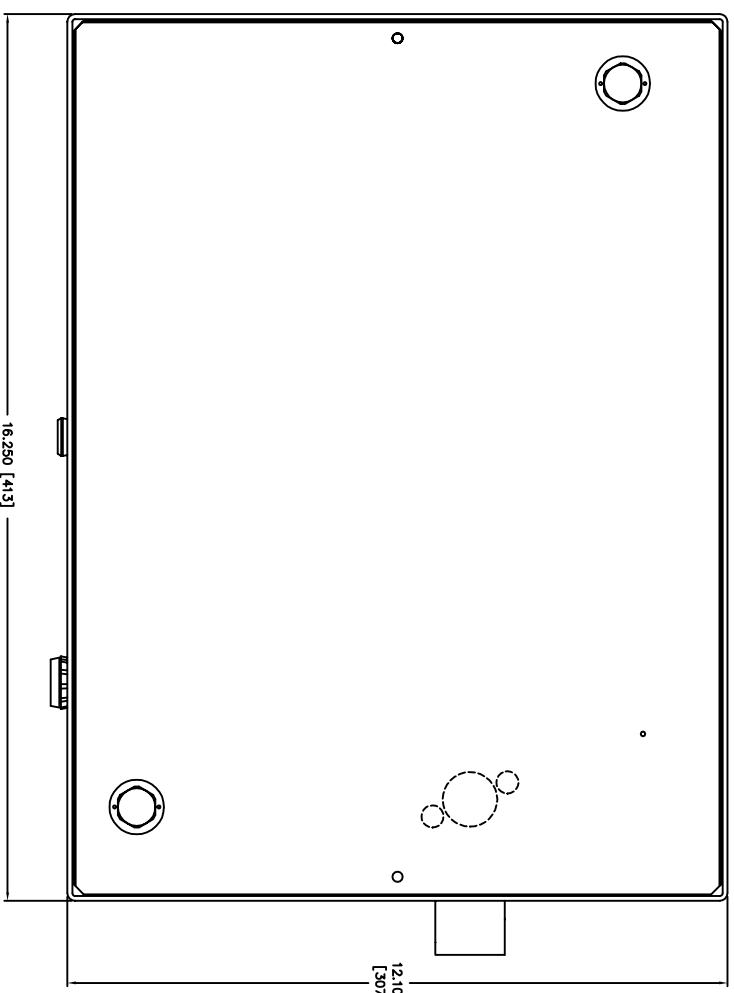
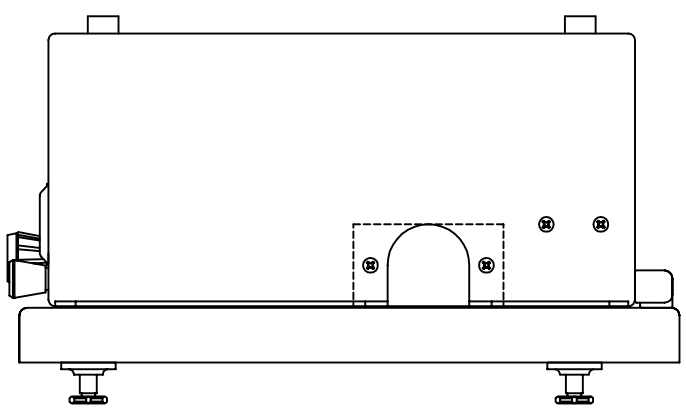


REVISIONS			
LTR	DESCRIPTION	DATE	APPROVED
A	RELEASE TO PRODUCTION	09/25/2007	JAG



FILE NO.
RC11004A

UNLESS OTHERWISE SPECIFIED DIMENSIONS ARE IN INCHES (MM)	
XX	ANGLES
±.015	±.005 ±1/2°
MATERIAL	
SEE BILL OF MATERIALS	
FINISH	NONE
DO NOT SCALE DRAWING	
SCALE FULL DRAWN JAG	09/25/2007 SHEET 1 OF 1

H+W TEST PRODUCTS
SERRONK, MASSACHUSETTS

FIXTURE ASSY
UNIVERSAL (10x14 UUT)

SIZE	FSCM NO.	DRAWING NO.	REV.
D		RC11004	A