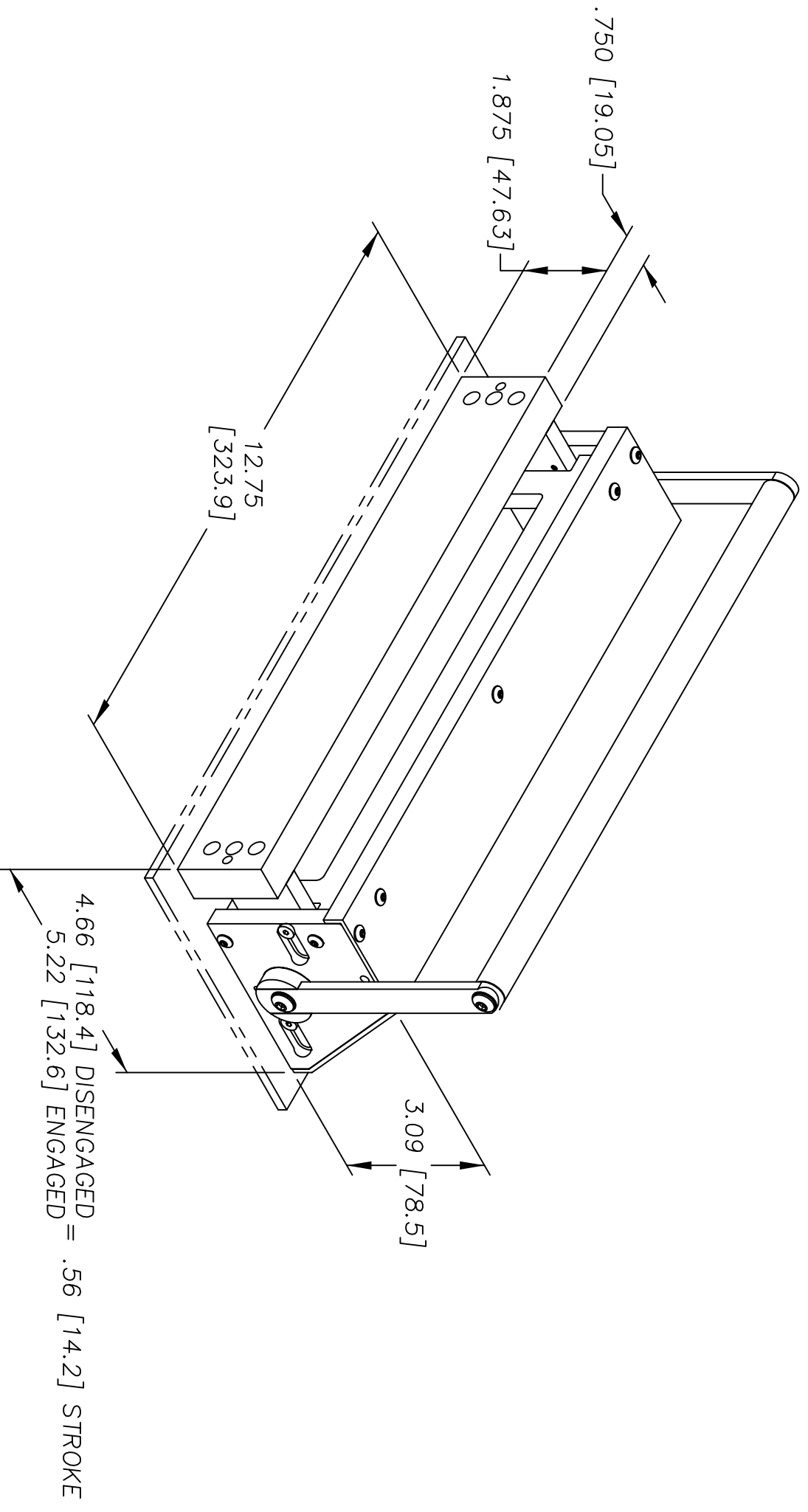


REVISIONS			
REV.	DESCRIPTION	DATE	APPROVED
A	RELEASE TO PRODUCTION	11/03/2000	JAG
B	REVISE SCREWS	01/18/2007	JAG



FILE NO.		FC50111BISO	
UNLESS OTHERWISE SPECIFIED DIMENSIONS ARE IN INCHES (MM) TOLERANCES ARE:		ANGLES	
.XX		.XXX	
± .015		± .005	
MATERIAL		SEE BOM	
FINISH		NONE	
NEXT ASSY		USED ON	
APPLICATION		DO NOT SCALE DRAWING	
SCALE		FULL	
DRAWN		JAG	
DATE		11/03/2000	
SHEET		1 OF 1	
REV.		B	

H+W TEST PRODUCTS
SEEKONK, MASSACHUSETTS

ASSEMBLY
11" SIDE ACCESS UNIT

DWG. NO. FC50111