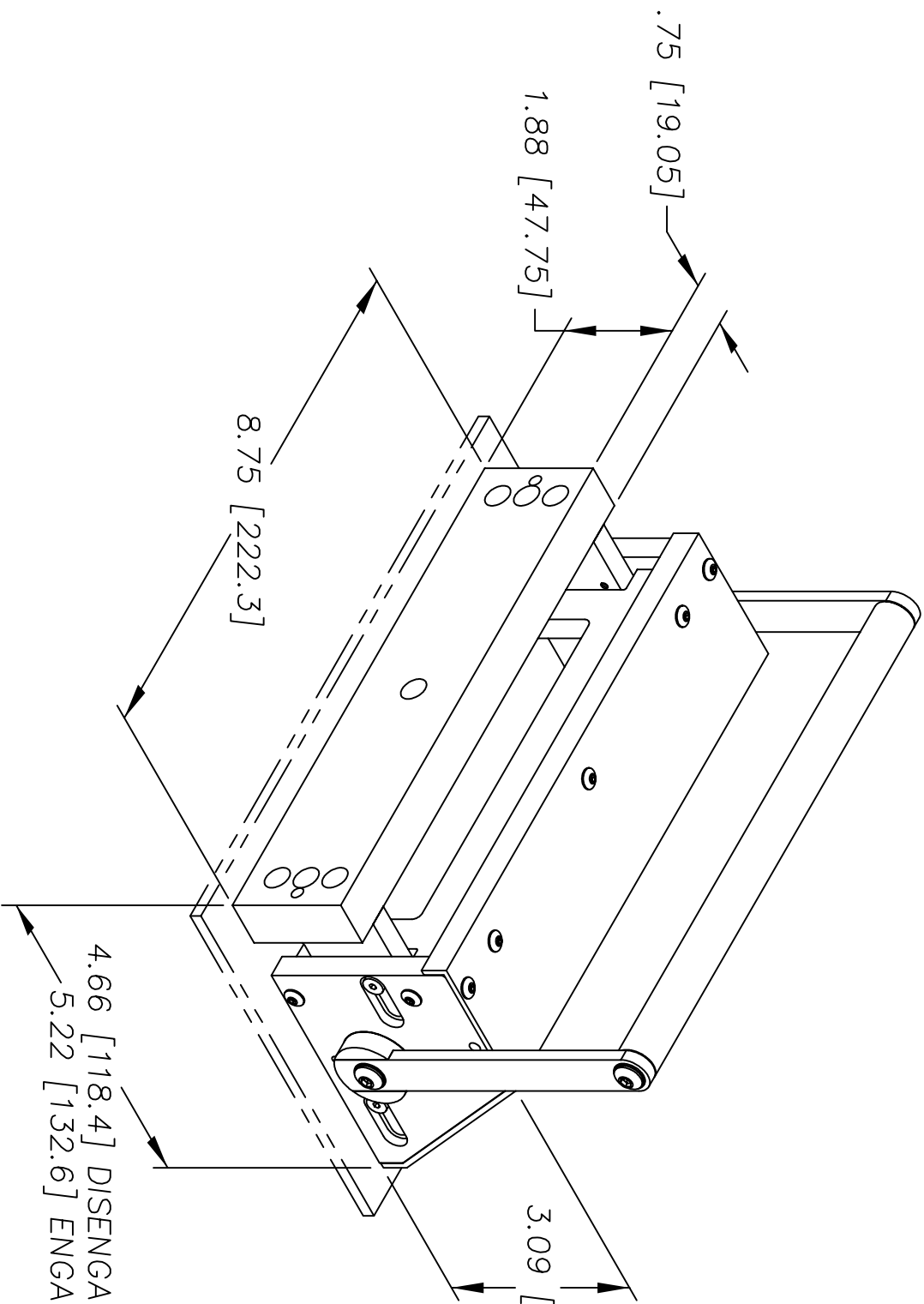


REVISIONS			
REV.	DESCRIPTION	DATE	APPROVED
A	RELEASE TO PRODUCTION	11/03/2000	JAG
B	REVISE SCREWS	01/18/2007	JAG



FILE NO.
FC50107BISO

UNLESS OTHERWISE SPECIFIED DIMENSIONS ARE IN INCHES (MM) TOLERANCES ARE: XX .XXX ANGLES ± .015 ± .005 ± 1/2 MATERIAL SEE BOM		H+W TEST PRODUCTS SEEKONK, MASSACHUSETTS	
FINISH NONE	DO NOT SCALE DRAWING	SIZE C	ASSEMBLY 7" SIDE ACCESS UNIT
NEXT ASSY	USED ON	SCALE FULL	DWG. NO. FC50107
APPLICATION		DRAWN JAG	REV. B
		DATE 11/03/2000	SHEET 1 OF 1