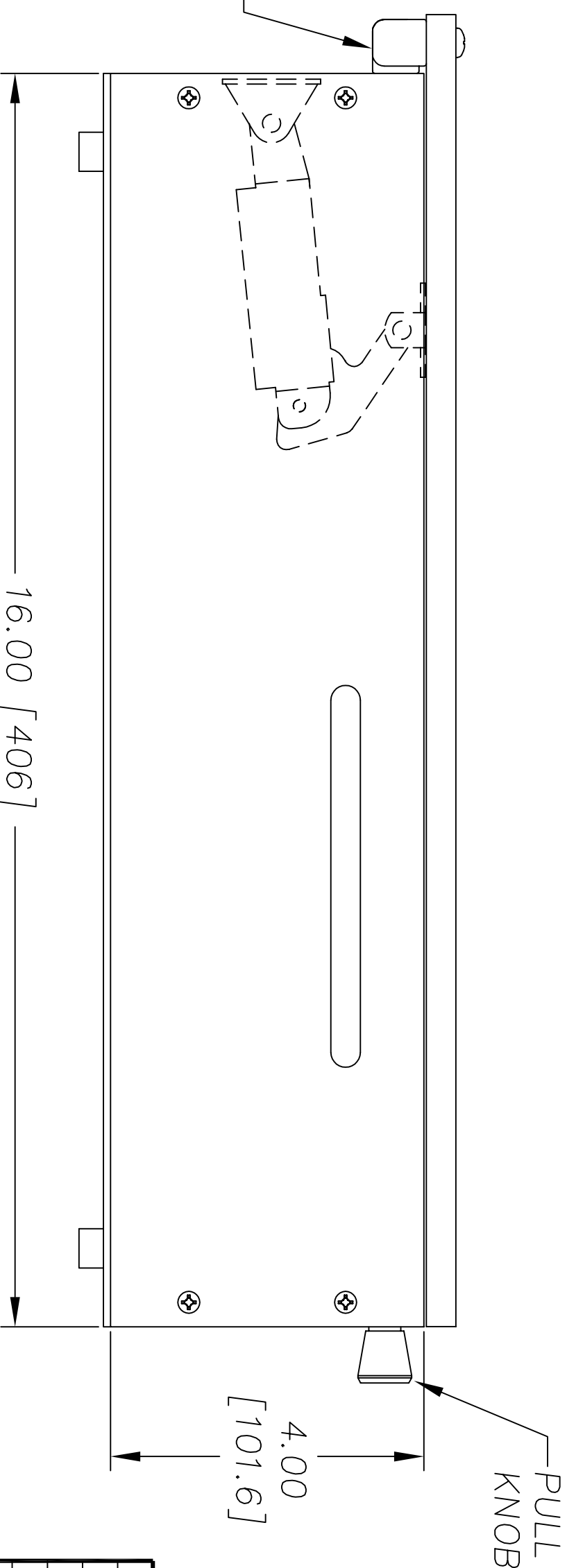
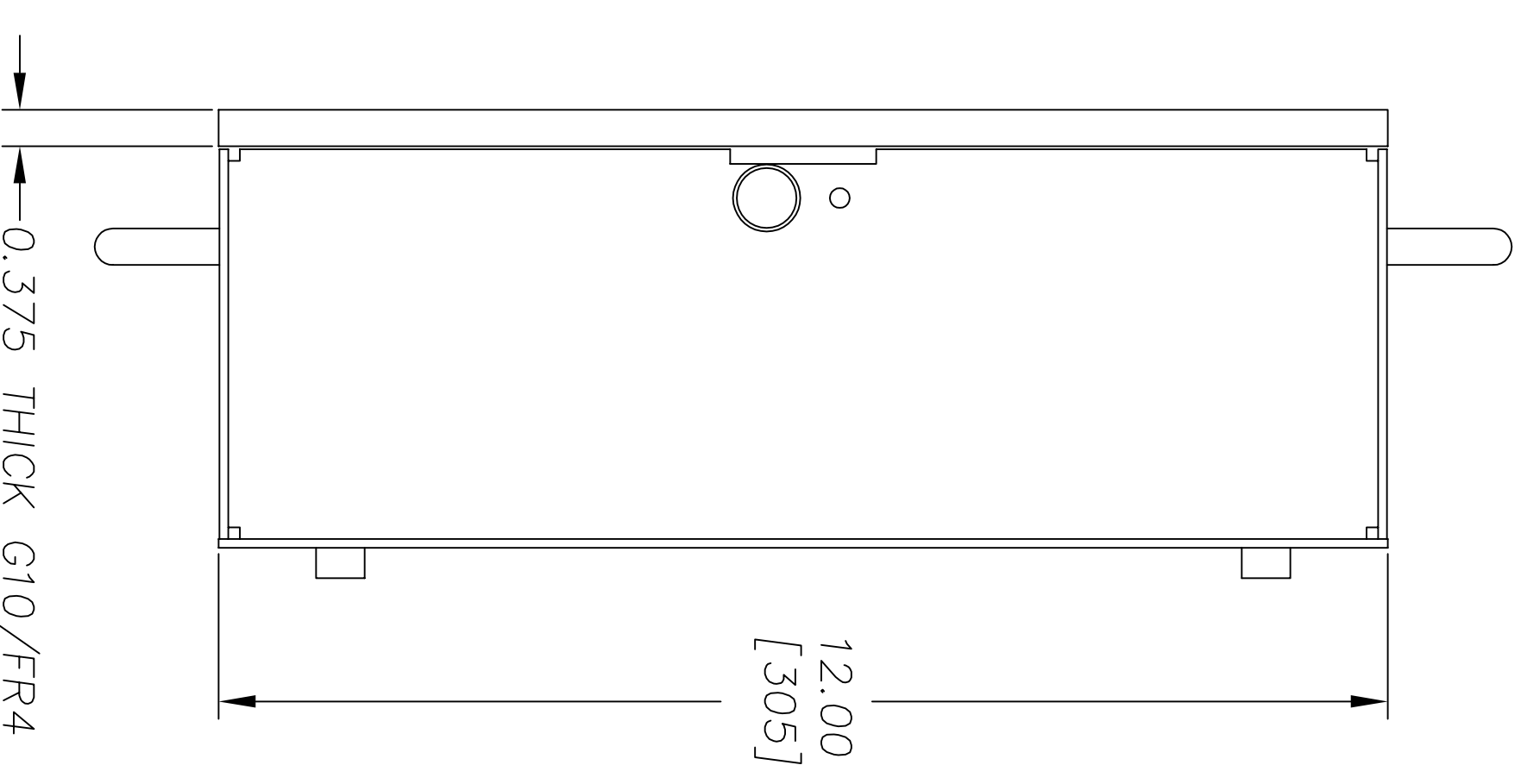
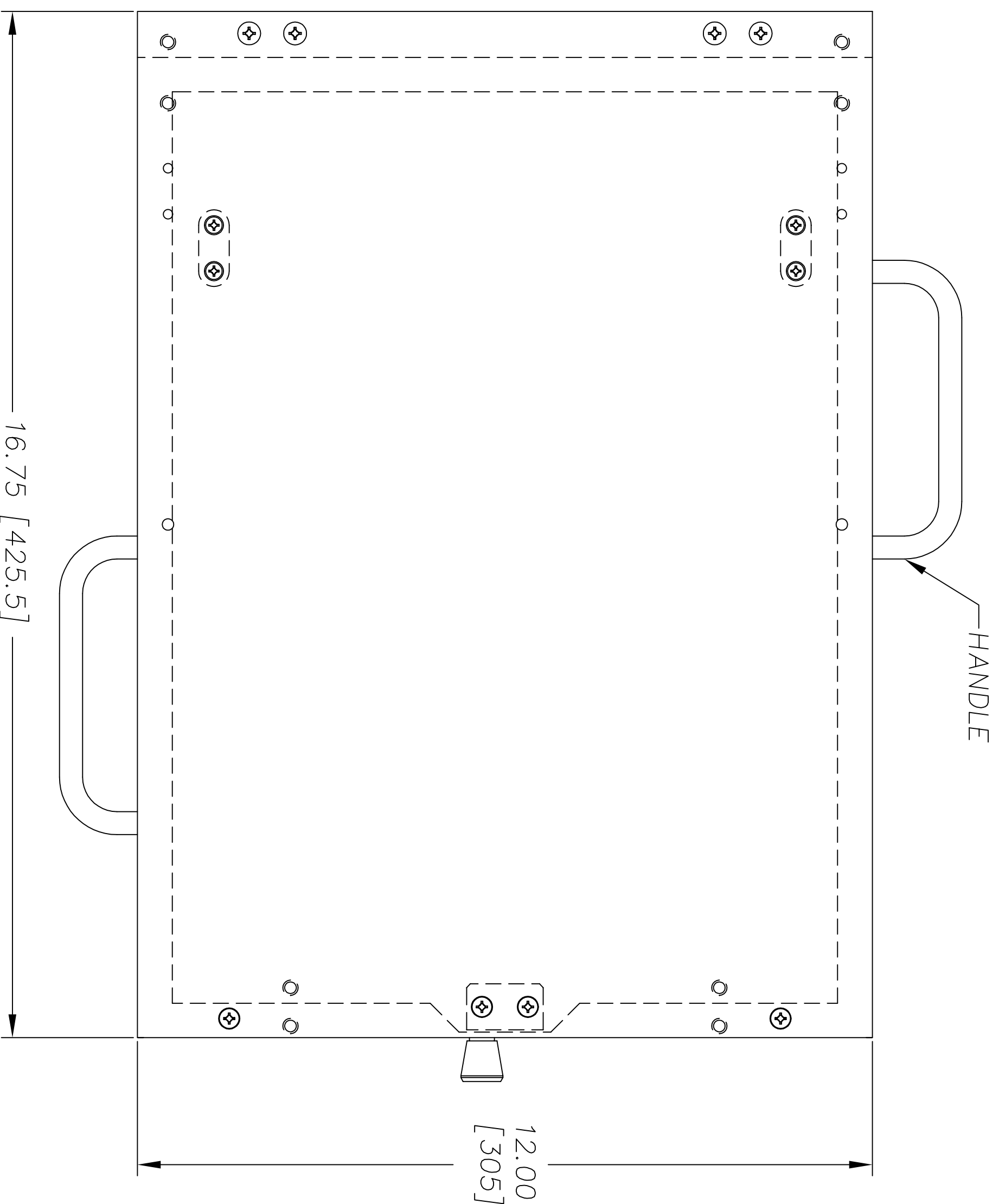


| REVISIONS | | | |
|-----------|-----------------------|------------|----------|
| REV. | DESCRIPTION | DATE | APPROVED |
| A | RELEASE TO PRODUCTION | 02/16/2000 | JAG |



FILE NO.
FC21003A

| | | | | |
|---|----------------------|-------|------------|--------------|
| UNLESS OTHERWISE SPECIFIED DIMENSIONS ARE IN INCHES (MM) | SEE BIL OF MATERIALS | SIZE | DWG. NO. | REV. |
| TOLERANCES ARE: XX .XXX ANGLES ± 0.010 ± 0.005 ± 1/2° | SEE BIL OF MATERIALS | D | FC21003 | A |
| FINISH | NONE | SCALE | DRAWN | |
| DO NOT SCALE DRAWING | | FULL | JAG | |
| APPLICATION | USED ON | | 02/16/2000 | SHEET 1 OF 1 |

H+W TEST PRODUCTS
SEEKONK, MASSACHUSETTS

BASE ASSEMBLY
12X16 MECHANICAL KIT