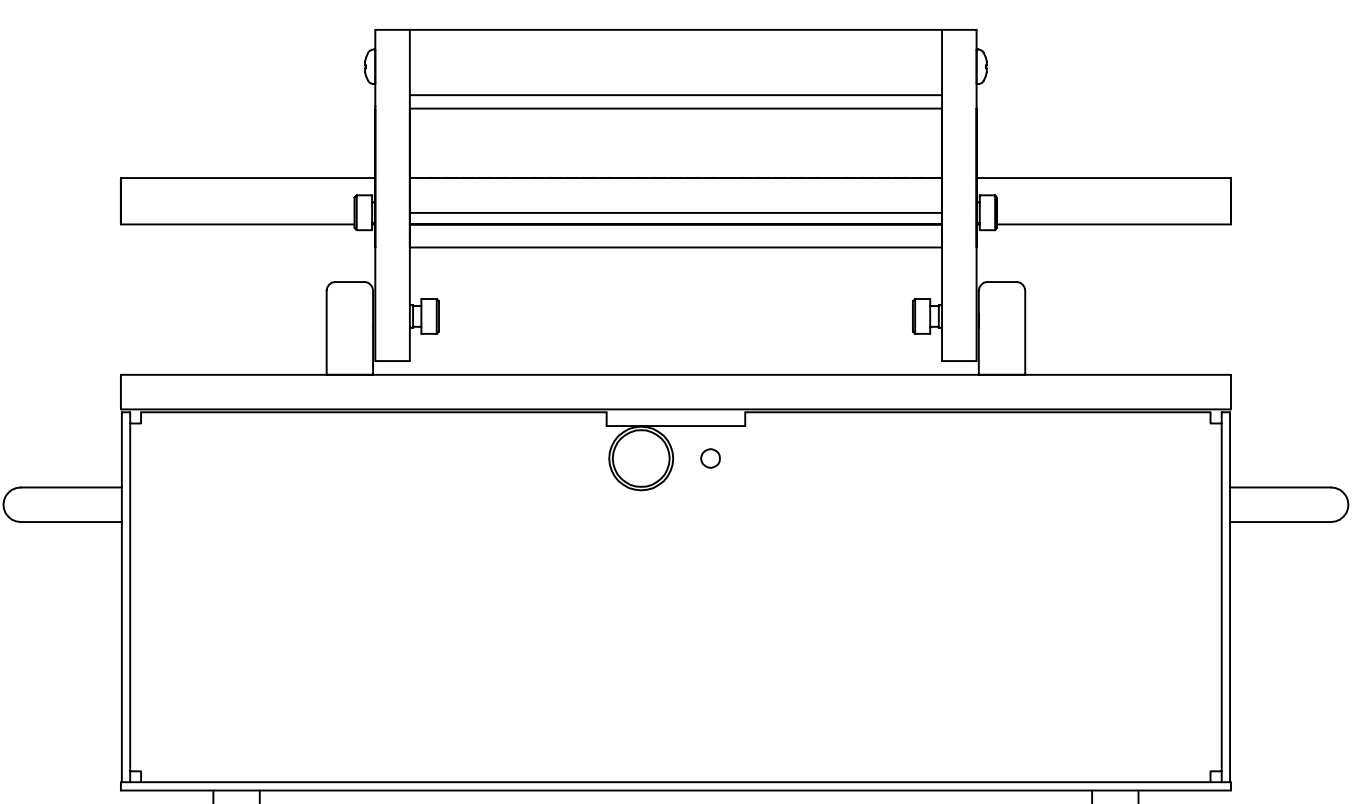
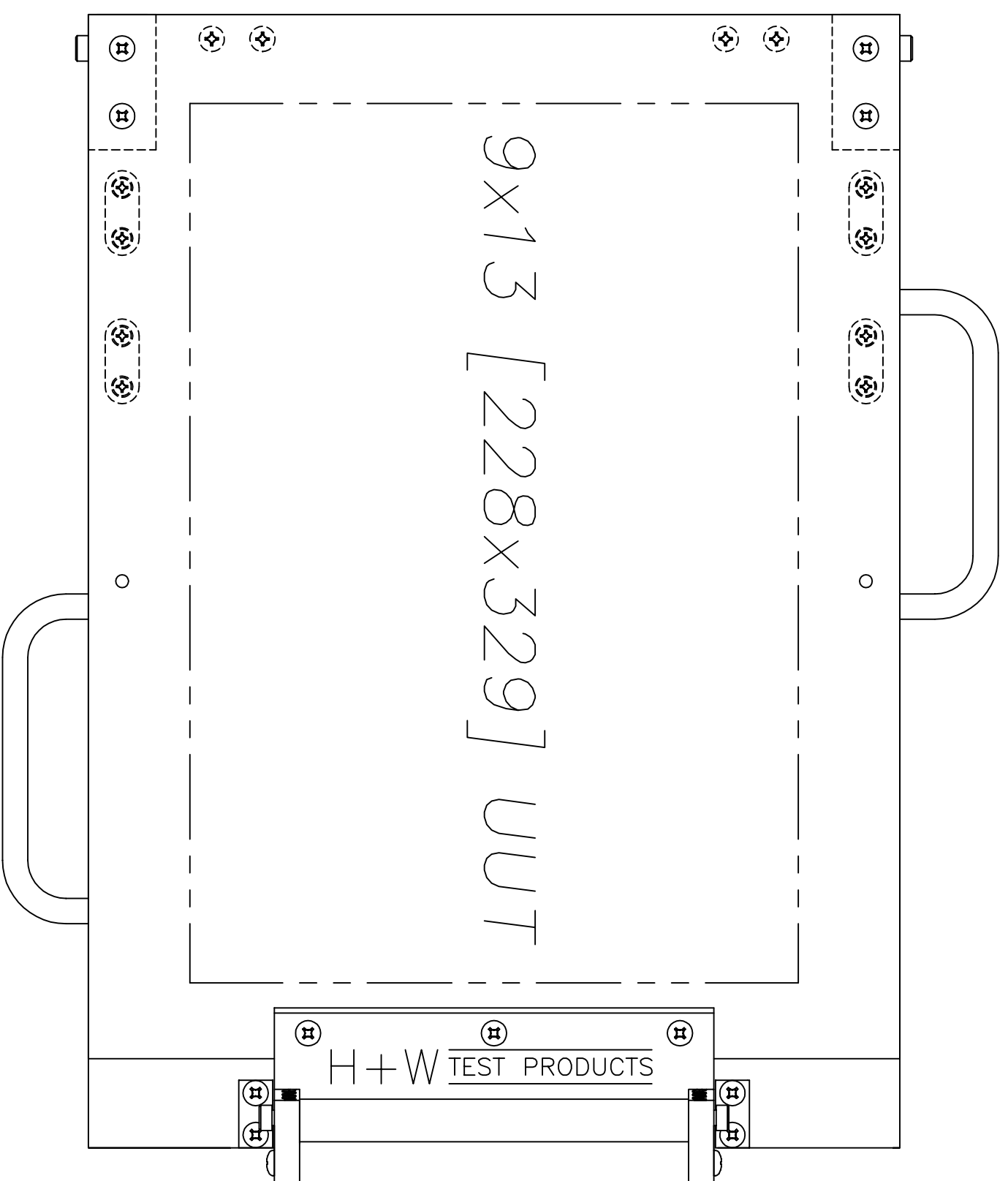


REVISIONS			
REV.	DESCRIPTION	DATE	APPROVED
A	RELEASE TO PRODUCTION	02/16/2000	JAG



FILE NO.
FC21001A

UNLESS OTHERWISE SPECIFIED DIMENSIONS ARE IN INCHES (MM)	
TOLERANCES ARE:	
XX .XXX ANGLES	
± 0.010 ± 0.005 ± 1/2°	
MATERIAL	SEE NOTES
FINISH	SEE NOTES
DO NOT SCALE DRAWING	
SCALE FULL	DRAWN JAG 02/16/2000 SHEET 1 OF 1

H+W TEST PRODUCTS
SEEKONK, MASSACHUSETTS

FIXTURE ASSEMBLY
12x16 MECHANICAL KIT

SIZE FSCM NO. DWG. NO. FC21001 REV. A