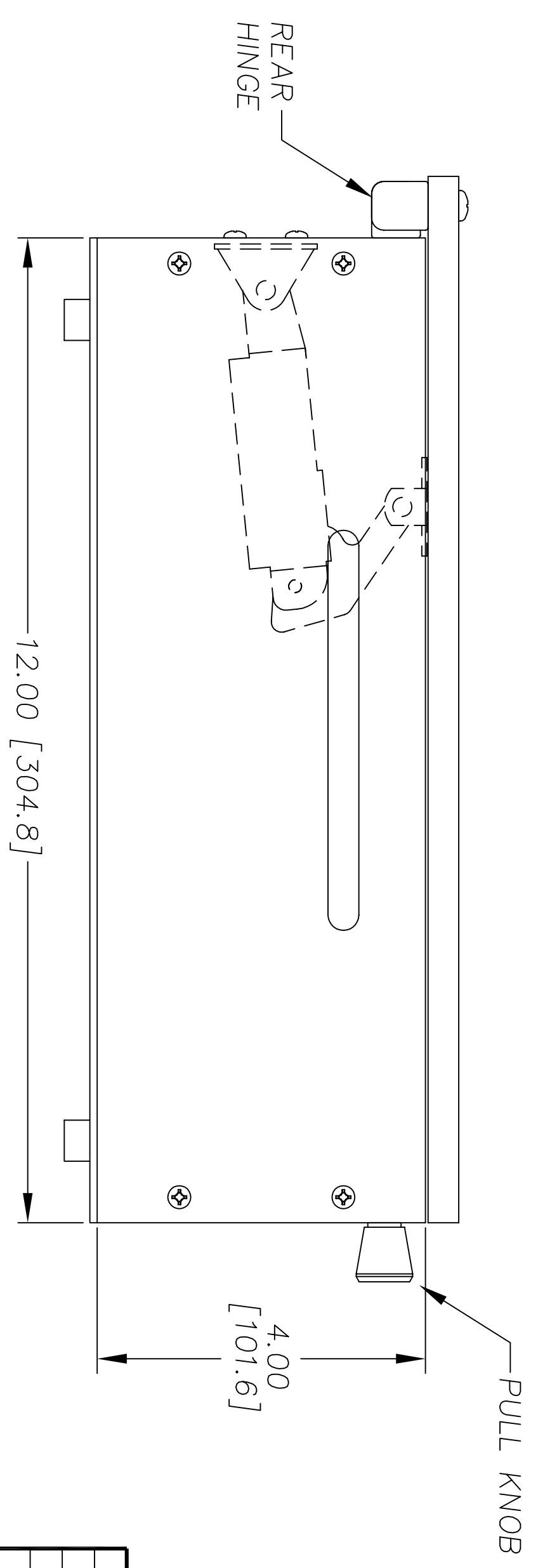
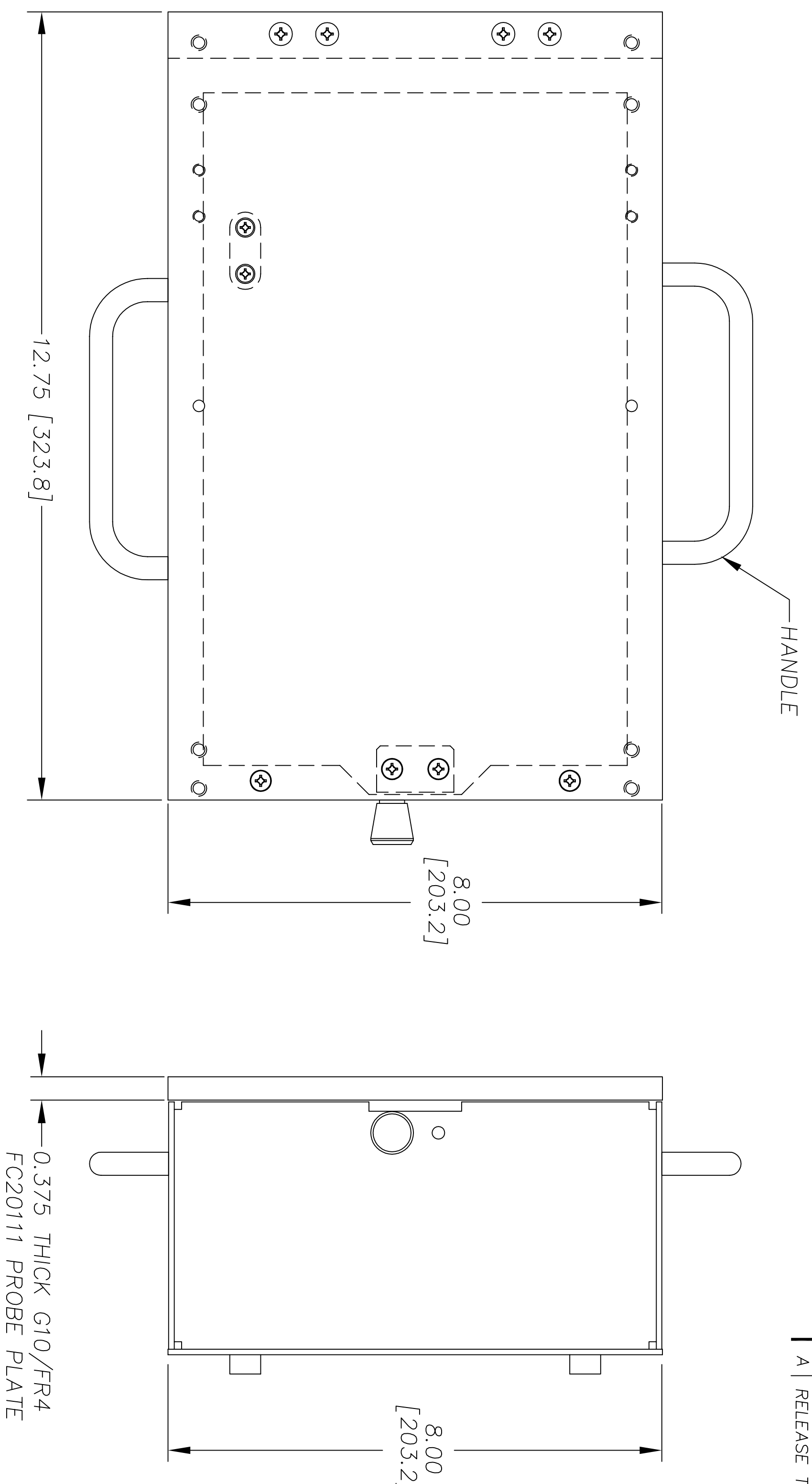


REVISIONS			
REV.	DESCRIPTION	DATE	APPROVED
A	RELEASE TO PRODUCTION	02/16/2000	JAG



FILE NO.
FC20003A

UNLESS OTHERWISE SPECIFIED DIMENSIONS ARE IN INCHES (MM) TOLERANCES ARE:		H+W TEST PRODUCTS SEEKONK, MASSACHUSETTS	
.XX	.XXX	ANGLES	ADAPTER BOX
± 0.010	± 0.005	± 1/2°	8x12 MECHANICAL KIT
MATERIAL SEE BILL OF MATERIALS		FINISH	SIZE FSCM NO.
		NONE	D
APPLICATION	USED ON	DO NOT SCALE DRAWING	SCALE FULL DRAWN JAG 02/16/2000 SHEET 1 OF 1
			DWG. NO. FC20003
			REV. A