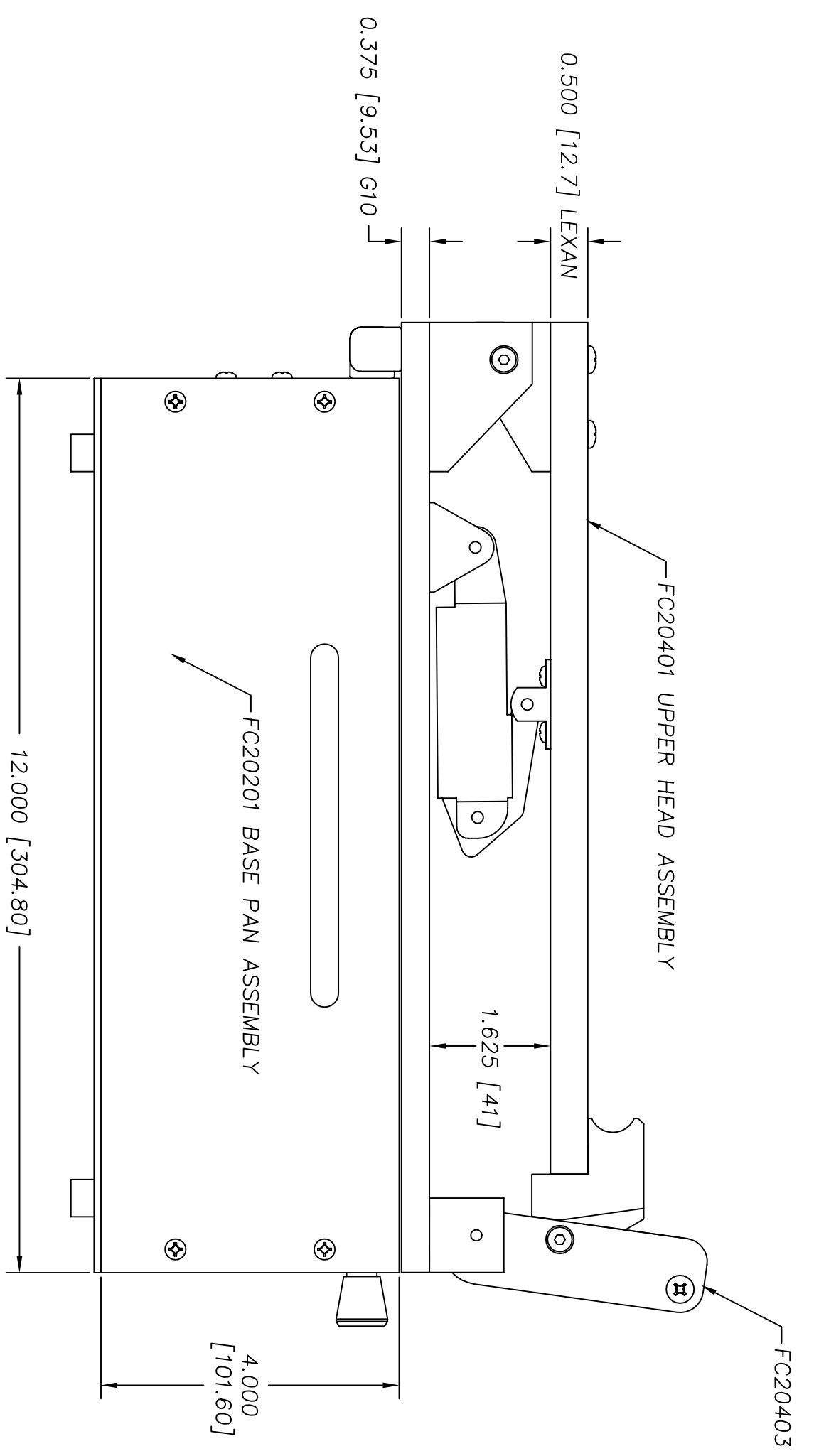
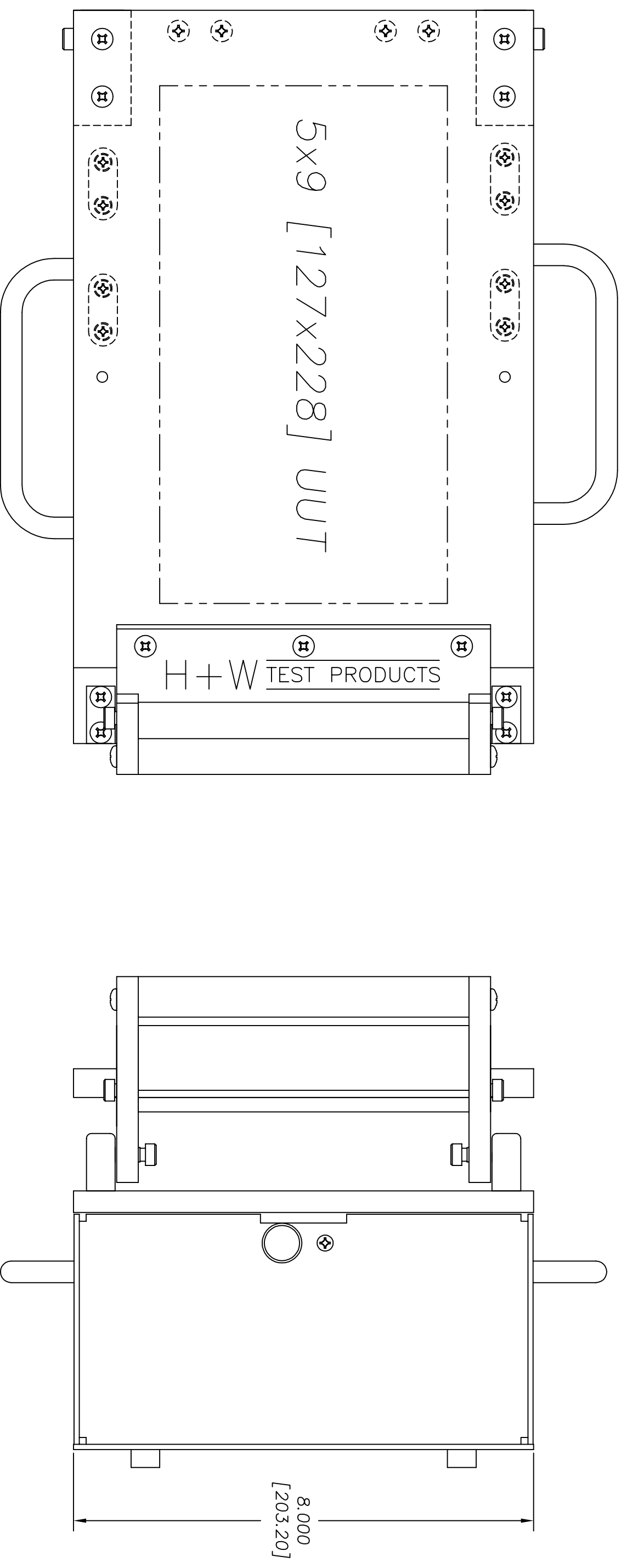


REVISIONS			
REV.	DESCRIPTION	DATE	APPROVED
A	RELEASE TO PRODUCTION	02/16/2000	JAG



FILE NO.  
FC20001A

UNLESS OTHERWISE SPECIFIED DIMENSIONS ARE IN INCHES (MM)		FINISH	
TOLERANCES ARE:	XX .XXX	ANGLES	±1/2
±0.010	±0.005	MATERIAL	SEE NOTES
DO NOT SCALE DRAWING		SEE NOTES	SEE NOTES
APPLICATION	USED ON	SCALE	SIZE
		FULL	D
		DRAWN	FSCM NO.
		JAG	DWG. NO.
		02/16/2000	FC20001
		SHEET	REV.
		1 OF 1	A

**H+W** TEST PRODUCTS  
SEEKONK, MASSACHUSETTS

FIXTURE ASSEMBLY  
8x12 MECHANICAL KIT